

# HERD

GRILL GUARD SERIES

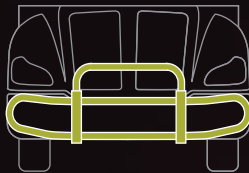
## PROTECT YOUR VEHICLE AND YOUR BOTTOM LINE



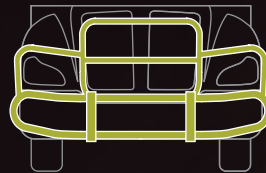
Get the perfect product for your vehicle.



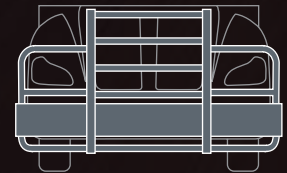
▶ **BG-100 Series**



▶ **GG-200 Series**



▶ **GG-300 Series\***



**Truck Guard Series**

Founded in 2003, HERD is one of North America's leading vehicle guard companies. Whether you're looking for something that mounts over your existing bumper or replaces it, we're committed to offering a full line of protection products for today's trucks.

Choose the guard that fits.



Don't settle for ill-fitting, universal guards that don't match the contours of your truck and leave holes in your protection. HERD grill guards are engineered specifically for each make and model so you get a perfect fit and protection where you need it.



## Stainless construction

HERD grill guards are made from 304 stainless steel chosen for its proven track record of strength, protection and beautiful shine. Plus, stainless means never having to worry about rust. Steel brackets mount right to the frame for added strength you only get with HERD.

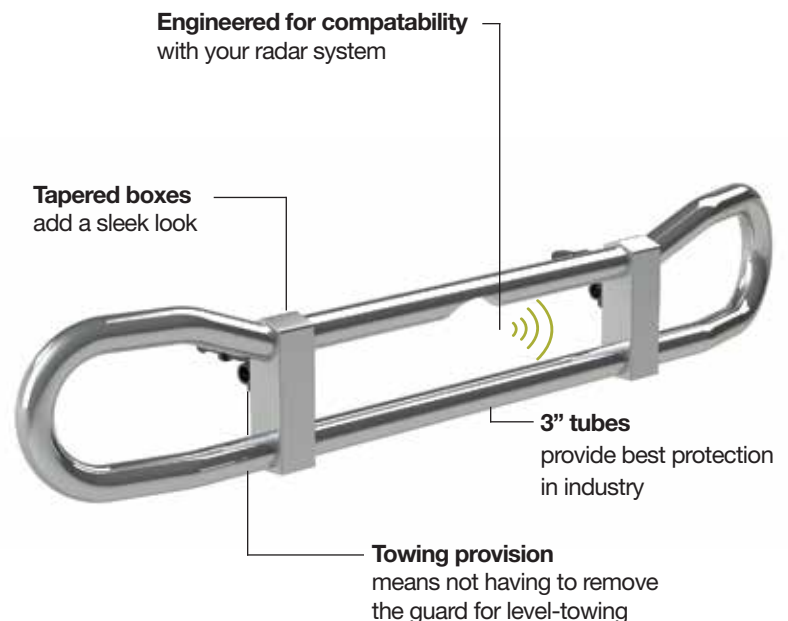


## Products as strong as our word

We guarantee that you'll be as proud standing in front of our guards as we are standing behind them. If you're not completely satisfied with the durability and design of your purchase, let us know and we'll make it right.

## BG-100 Series

Easy to install, lightweight and compatible with brand name collision radar systems, HERD's BG-100 series provides premium protection for your factory bumper and expensive components.



**STANDARD ON ALL  
STAINLESS GUARDS**



## Choose the guard that works.



## Multi-Point Brackets

In addition to using the tow receivers, HERD mounting systems achieve superior strength by bolting directly to the frame.

## Box Uprights

HERD uprights serve as a strong foundational structure. The box and tube are gusseted together for superior strength.

## Right-Sized Tubes

The HERD brand is known for big, super strong, polished tubes. We have continued this feature in our grill guards series.

## No-Rattle Latch

Our hinge and latching system strikes the perfect balance between convenience and security. You can expect a long rattle-free life.

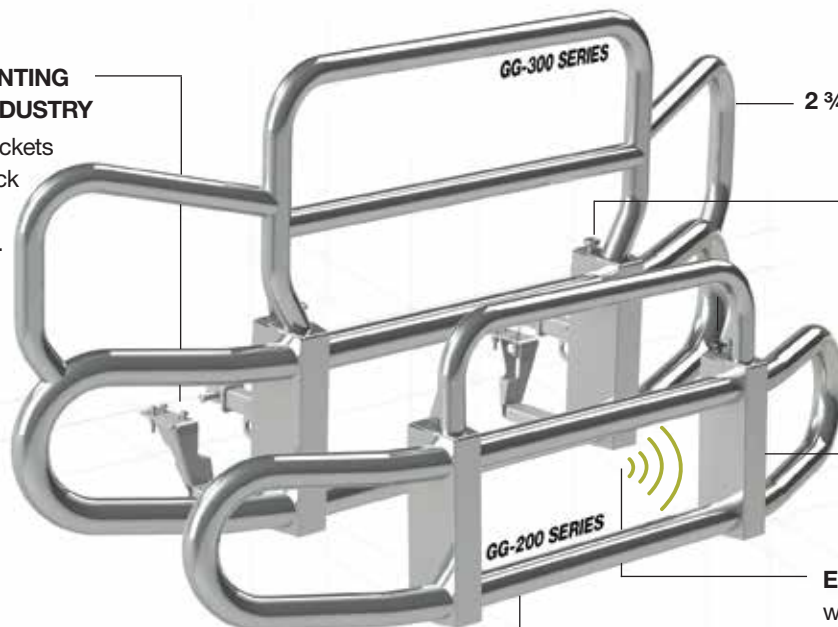
## GG-200 and 300 Series

Protect your factory bumper and lower portion of your grill with our premium 200-series. For headlight and full grill coverage, the 300-series delivers optimum protection. HERD's complete line of stainless guards are designed to complement your truck's design and provide the best fit and finish in the industry. Better fit = Better protection.

### HERD EXCLUSIVE STRONGEST MOUNTING SYSTEM IN THE INDUSTRY

High-grade steel brackets mount directly to truck frame in addition to tow receiver mounts.

Steel components powder coated for rust protection; longer life.



2 3/4" TOP TUBES

### EASY LATCH SYSTEM

Quick to unlock; no adjustments required

### TAPERED BOX UPRIGHTS

Reduced weight; sleek look

ENGINEERED FOR COMPATABILITY with your radar system

### GUSSETS FOR EXTRA STRENGTH

Welded into the upright & tubes

3 1/2" LOWER TUBES



No Rattle Design

### AVAILABLE OPTIONS



Tow Kit



License Plate Holder



# The need for protection is clear.

## HERD

**HERD  
ON THE  
STREET**

Real-life testimonials  
from actual HERD  
customers.



**“HERD grill guards have saved us about \$30,000 in the last week alone in four different accidents.”**

-BRANDI BORROWMAN, GILTNER INC.

**Visit your local HERD dealer to learn more about our full range of products.**

**888.543.4373**

**sales@herd.com**

**HERD.com**