

HERD

GRILL GUARD SERIES

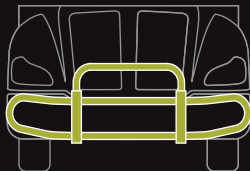
PROTECT YOUR VEHICLE AND YOUR BOTTOM LINE



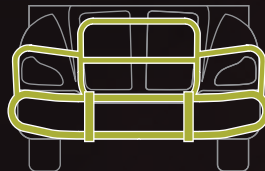
Get the perfect product for your vehicle.



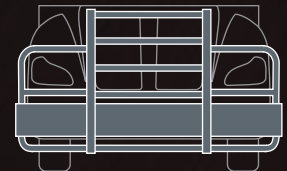
▶ **BG-100 Series**



▶ **G2-200 Series**



▶ **G3-300 Series***



Truck Guard Series

Founded in 2003, HERD is one of North America's leading vehicle guard companies. Whether you're looking for something that mounts over your existing bumper or replaces it, we're committed to offering a full line of protection products for today's trucks.

Choose the guard that fits.



Don't settle for ill-fitting, universal guards that don't match the contours of your truck and leave holes in your protection. HERD grill guards are engineered specifically for each make and model so you get a perfect fit and protection where you need it.



Stainless construction

HERD grill guards are made from 304 stainless steel chosen for its proven track record of strength, protection and beautiful shine. Plus, stainless means never having to worry about rust.

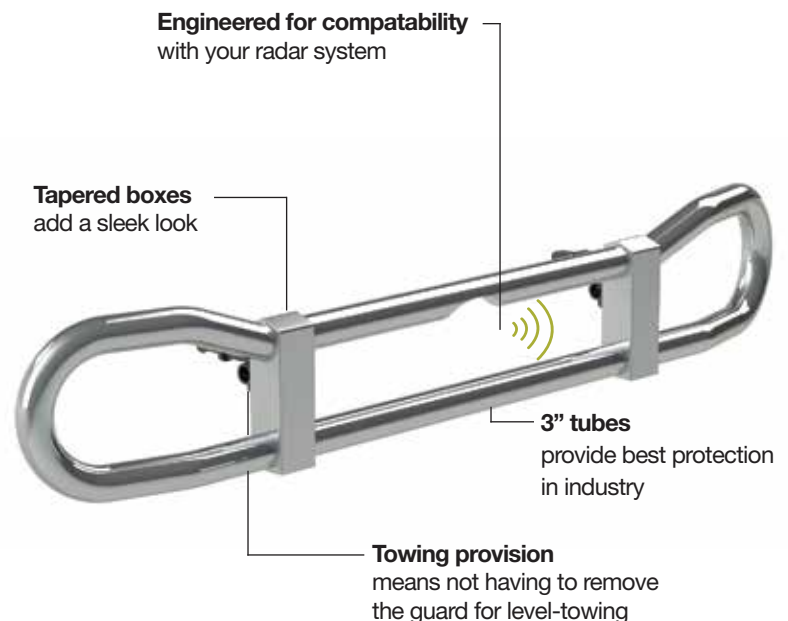


Products as strong as our word

We guarantee that you'll be as proud standing in front of our guards as we are standing behind them. If you're not completely satisfied with the durability and design of your purchase, let us know and we'll make it right.

100 Series

Easy to install, lightweight and compatible with brand name collision radar systems, HERD's BG-100 series provides premium protection for your factory bumper and expensive components.



**STANDARD ON ALL
STAINLESS GUARDS**



Choose the guard that works.



Easy to Install

Heavy gauge steel brackets lock quickly and easily into tow receivers with a dialed-in fit.

Box Uprights

HERD uprights serve as a strong foundational structure. The box and tube are gusseted together for superior strength.

Right-Sized Tubes

The HERD brand is known for big, super strong, polished tubes. We have continued this feature in our grill guards series.

No-Rattle Latch

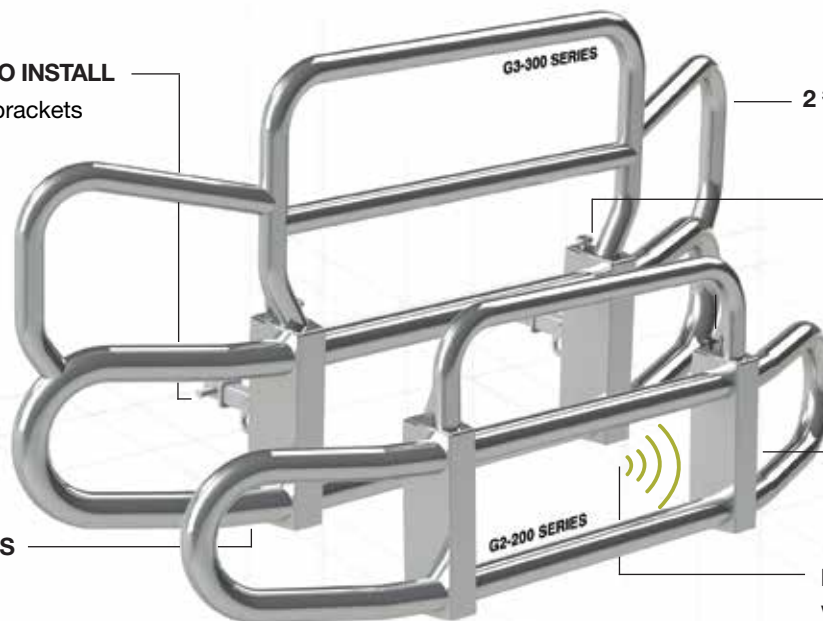
Our hinge and latching system strikes the perfect balance between convenience and security. You can expect a long rattle-free life.

200 and 300 Series

Protect your factory bumper and lower portion of your grill with our premium 200-series. For headlight and full grill coverage, the 300-series delivers optimum protection. HERD's complete line of stainless guards are designed to complement your truck's design and provide the best fit and finish in the industry. Better fit = Better protection.

STRONG & EASY TO INSTALL

Heavy gauge steel brackets mount directly into tow receivers and are included with each guard.



2 3/4" TOP TUBES

EASY LATCH SYSTEM

Quick to unlock; no adjustments required

TAPERED BOX UPRIGHTS

Reduced weight; sleek look

ENGINEERED FOR COMPATABILITY with your radar system

3 1/2" LOWER TUBES

GUSSETS FOR EXTRA STRENGTH

Welded into the upright & tubes



No Rattle Design

AVAILABLE OPTIONS



Tow Kit



License Plate Holder

The need for protection is clear.

HERD

**HERD
ON THE
STREET**

Real-life testimonials
from actual HERD
customers.



“HERD grill guards have saved us about \$30,000 in the last week alone in four different accidents.”

-BRANDI BORROWMAN, GILTNER INC.

Visit your local HERD dealer to learn more about our full range of products.

888.543.4373
sales@herd.com
HERD.com