

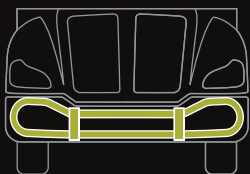
HERD

GRILLE GUARD SERIES

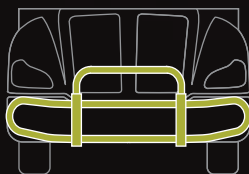
FOR
WHATEVER
THE ROAD
THROWS
AT YOU



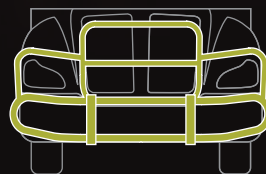
Get the perfect product for your vehicle.



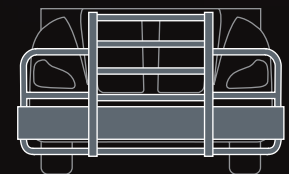
▶ **BG - 100 Series**



▶ **GG - 200 Series**



▶ **GG - 300 Series**



Truck Guard Series

Introducing Our New Grip Latch System



INDUSTRY LEADING 5 YEAR WARRANTY

Our new Grip Latch is easy to use and locks tight like a vice grip. We have also incorporated a secondary safety system that will prevent the latch from opening unexpectedly due to vibrations on the road. The Grip Latch will significantly reduce the vibrations and rattling that you typically see in other grille guards and provide a near maintenance free experience. We are so confident in our new Patent Pending Grip Latch that we are offering a 5 year warranty, no one else in the industry offers this!

Founded in 2003, HERD is one of North America's leading vehicle guard companies. Whether you're looking for something that mounts over your existing bumper or replaces it, we're committed to offering a full line of protection products for today's trucks.

Polyurea Coated 200 & 300 Series

HERD's Polyurea coated steel grille guards are designed to complement your truck's design while providing the best protection in the industry. The coating will provide a rust-free durable finish that will stand the test of the elements and time. These units come standard with our new "Grip Latch" which is covered by our industry leading 5-year warranty.

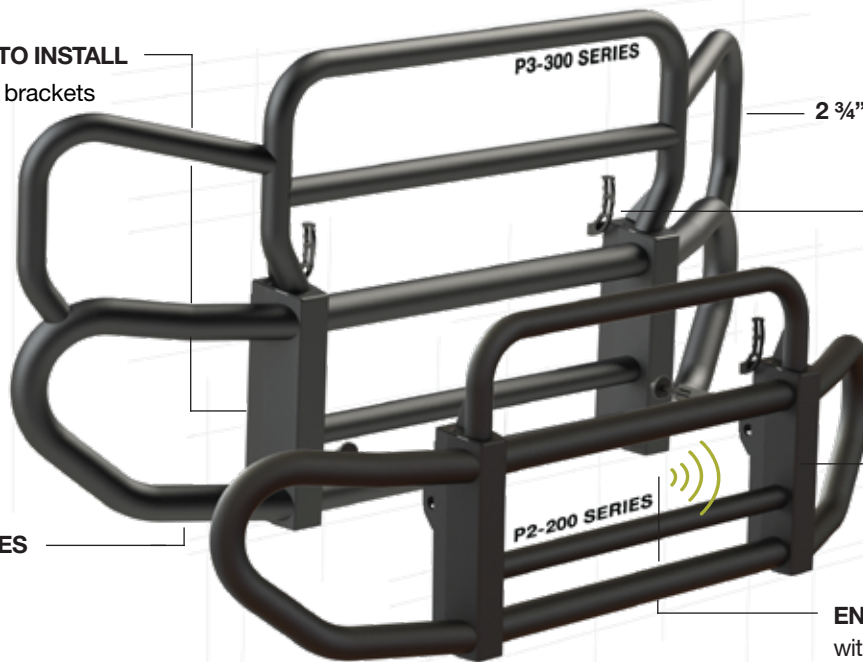
STRONG & EASY TO INSTALL

Heavy gauge steel brackets mount directly into tow receivers and are included with each guard.

3 1/2" LOWER TUBES

GUSSETS FOR EXTRA STRENGTH

Welded into the upright & tubes



2 3/4" TOP TUBES

GRIP LATCH SYSTEM

Quick to unlock; easy adjustments

TAPERED BOX UPRIGHTS

Reduced weight; sleek look

ENGINEERED FOR COMPATIBILITY

with your radar system

**STANDARD ON ALL
STAINLESS GUARDS**

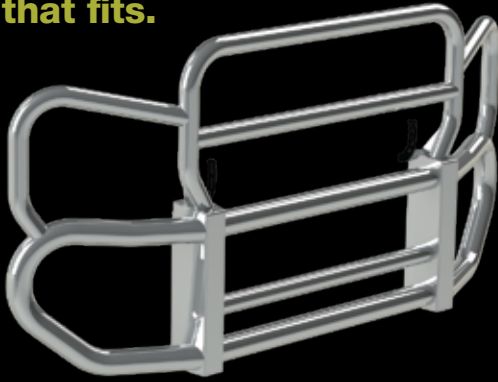


Maintenance-Free
Steel Hinges



No Rattle
Design

Choose the guard that fits.

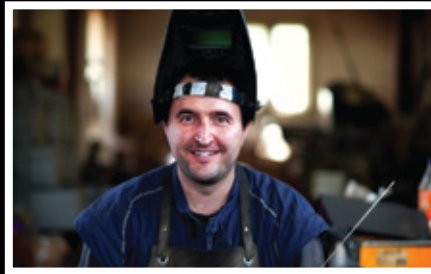


Don't settle for ill-fitting, universal guards that don't match the contours of your truck and leave holes in your protection. HERD grille guards are engineered specifically for each make and model so you get a perfect fit and protection where you need it.



Stainless construction

HERD grille guards are made from 304 stainless steel chosen for its proven track record of strength, protection and beautiful shine. Plus, stainless means never having to worry about rust.



Products as strong as our word

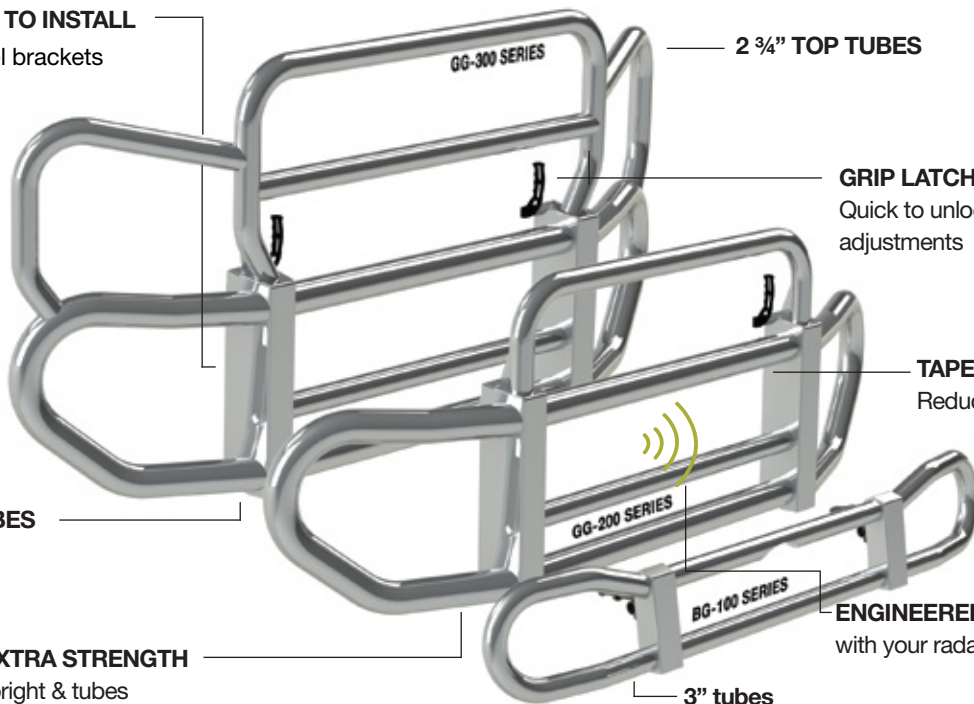
We guarantee that you'll be as proud standing in front of our guards as we are standing behind them. If you're not completely satisfied with the durability and design of your purchase, let us know and we'll make it right.

Stainless Steel 100, 200, and 300 Series

HERD's Stainless Steel Series offers the strongest protection in the industry while providing the best fit and finish for your truck. Our Stainless Steel Series offers 3 different protection choices, choose the right one for your budget knowing you are getting the best protection for your truck.

STRONG & EASY TO INSTALL

Heavy gauge steel brackets mount directly into tow receivers and are included with each guard.



2 3/4" TOP TUBES

GRIP LATCH SYSTEM

Quick to unlock; easy adjustments

TAPERED BOX UPRIGHTS

Reduced weight; sleek look

3 1/2" LOWER TUBES

GUSSETS FOR EXTRA STRENGTH

Welded into the upright & tubes

ENGINEERED FOR COMPATIBILITY

with your radar system

3" tubes

provide best protection in industry

AVAILABLE OPTIONS



Tow Kit



License Plate Holder

*All Grille Guards come with a 1 year factory warranty.

The need for protection is clear.



PICK YOUR FINISH

You have seen Polyurea in truck beds for years by companies such as LineX or Rhino Shield. HERD has specially formulated Polyurea for our grille guards to give you the best protection against corrosion, wear and tear, scratches and small dents. Now you can have a finish that lasts and looks great all the time.

Looking for something that has a shine and compliments your chrome on your truck? Then our Stainless Series Grille Guards will give you that look without having to worry about corrosion. HERD uses industry standard 304 Stainless Steel to give you a product that will stand the test of time. Make your truck stand out and look sharp with HERD Stainless Steel Grille Guards.



“HERD grille guards have saved us about \$30,000 in the last week alone in four different accidents.”

-BRANDI BORROWMAN, GILTNER INC.

SCAN FOR COATED
GRILLE GUARD VIDEO



SCAN FOR GRIP LATCH
ADJUSTMENT VIDEO



Visit your local HERD dealer to learn more about our full range of products.

888.543.4373
sales@herd.com
HERD.com