

This Guide is for all Truck Guard Models, including (where applicable):
Aero
Defender
Texas
Big Texas
Road Train
Super Road Train

Thank you for choosing HERD!

For assistance call
1-888-543-4373
www.HERD.com

Truck I.D.	Truck Models
FL39	FL Coronado SD / 122SD Tow Receiver Hooks - SBA
	

Important

- Herd Truck Guards are vehicle "Make & Model" specific. Use of a Truck Guard on a vehicle other than the model it was designed for will constitute improper use of the product and may void warranty.
- Unless otherwise specified, Grade 8 or Class 10.9 hardware is to be used. For the purposes of these instructions, OEM hardware means the truck's original factory hardware.
- For further detail of warranty coverage and warranty repair information visit www.HERD.com.

General Safety

- Take time to fully read the instructions before installing the Herd Truck Guard.
- At all times exercise safe work shop practices, wear steel toe boots and safety glasses during installation.
- Parts and components of the Herd Truck Guard can be heavy, handle with care to avoid injuries.
- Respect power tools and use them as advertised.

HERD North America Inc.
2168 Springfield Road
Box 28, Group 525, RR5
Sunnyside, MB Canada R5R 0J3

Reference this Parts List if your Truck Guard has a CEB (Captive Eye Bolt) Latching System

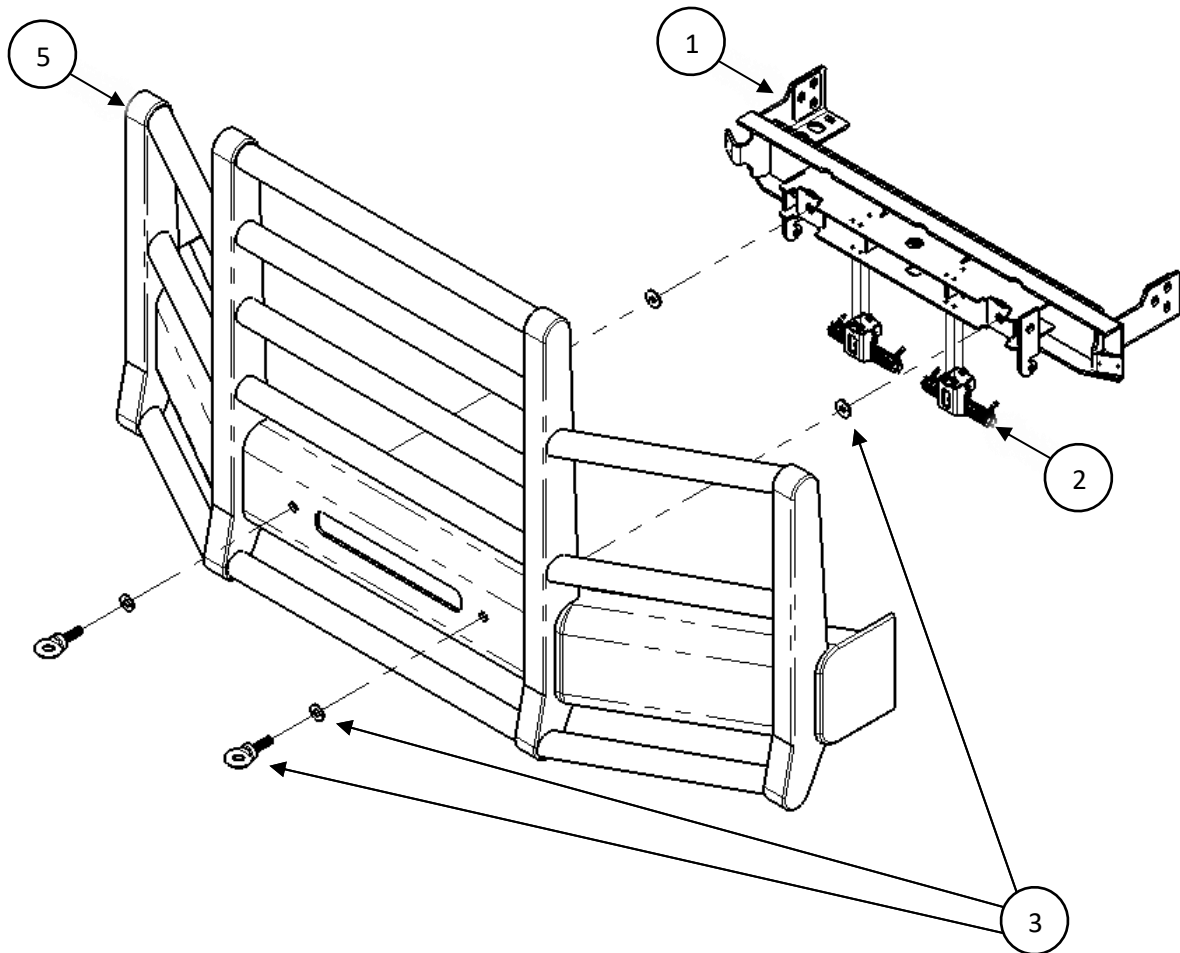


Figure 1 – Captive Eye Bolt Latching System

Table 1: Parts and Hardware Included

Item No	Part No	Description	Qty
1	BR-FL39-AT (Only with Aero, Road Train, Super Road Train, Texas, & Big Texas Versions) or BR- FL39-FLT (Only with Defender Version)	BRACKET, Freightliner Coronado SD / 122SD Tow Receiver Hooks - SBA	1
2	1MPA027 (Only with Aero, Road Train, Super Road Train, Texas, & Big Texas Versions) or 1MPA024 (Only with Defender Version)	ASSY - LEGACY LIFT ASSIST	2
3	7-EYEBOLT KIT	CAPTIVE EYEBOLT ASSEMBLY	2
5	HERD TRUCK GUARD	TRUCK GUARD APPEARANCE MAY VARY BY SKU	1
*6	500118	BOLT-HEX 5/8-11X1-3/4 NC GR8 YZP	4
*7	500084	BOLT-HEX 1/2-13X1-1/2 NC GR8 YZP	6

Items marked with * are not shown in Figure 1 above

Reference this Parts List if your Truck Guard has a Slam Latch Latching System

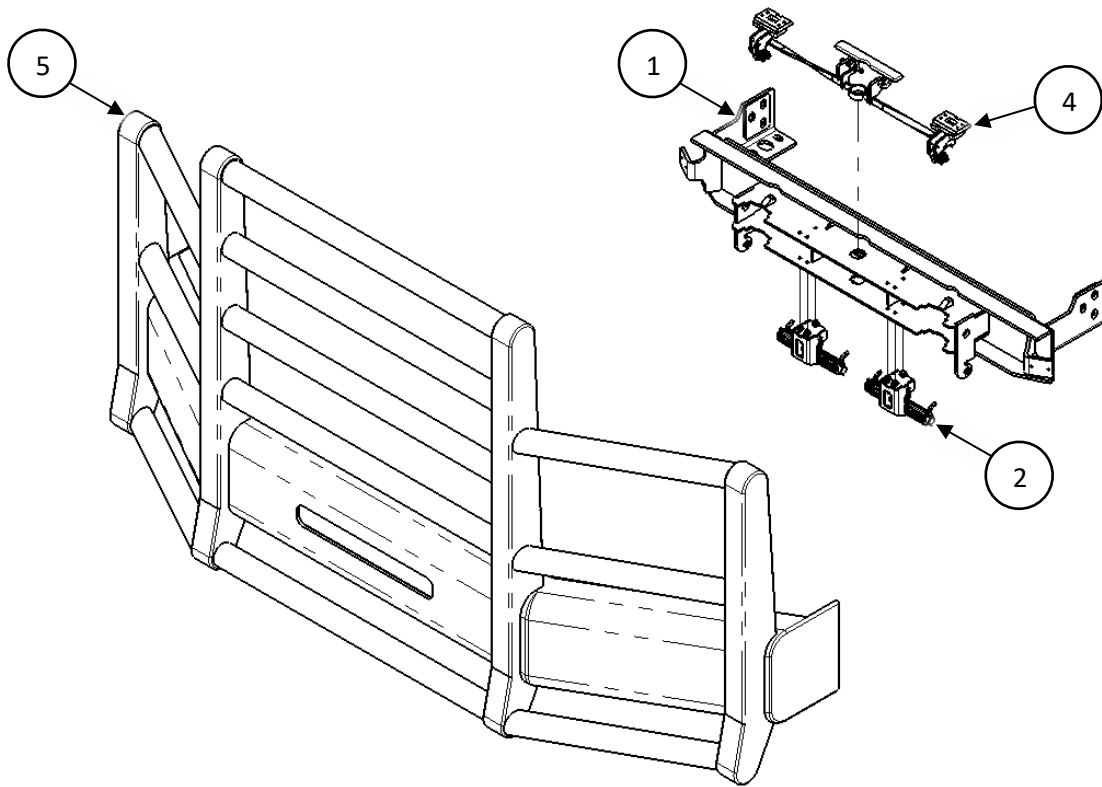


Figure 2 – Slam Latch Latching System

Table 2: Parts and Hardware Included

Item No	Part No	Description	Qty
1	BR-FL39-AT-SL (Only with Aero, Road Train, Super Road Train, Texas, & Big Texas Versions) or BR- FL39-FLT-SL (Only with Defender Version)	BRACKET, Freightliner Coronado SD / 122SD Tow Receiver Hooks - SBA	1
2	1MPA027 (Only with Aero, Road Train, Super Road Train, Texas, & Big Texas Versions) or 1MPA024 (Only with Defender Version)	ASSY - LEGACY LIFT ASSIST	2
4	4-MC-SLA-A	ASSY- LEGACY SLAM LATCH	1
5	HERD TRUCK GUARD	TRUCK GUARD APPEARANCE MAY VARY BY SKU	1
*6	500118	BOLT-HEX 5/8-11X1-3/4 NC GR8 YZP	4
*7	500084	BOLT-HEX 1/2-13X1-1/2 NC GR8 YZP	6

Items marked with * are not shown in Figure 2 above

Installation Procedure

1. Remove the 4 OEM bolts on the front of the OEM bumper and the 2 OEM bolts on the bottom of the bumper. Disconnect OEM driving lights if applicable.

Remove the OEM bumper. If the truck has a collision mitigation radar sensor, unplug and remove it.



Figure 3 – OEM Bumper Removal Front View

2. Remove the factory bumper mounting brackets by removing the 3 OEM bolts on both passenger and driver sides. Retain the OEM washers for later use.

Remove the sensor mount found on the driver side of the casting for the tow hooks.

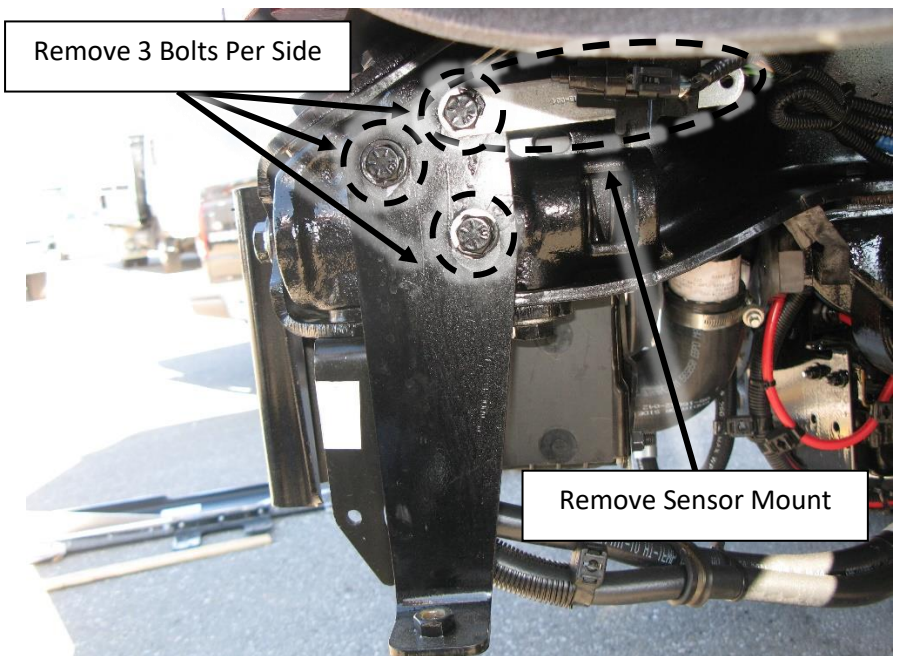


Figure 4 – Factory Bumper Mounting Bracket Removal (Driver Side Shown)

Installation Procedure

3. Remove only the front and the rear bolts from the bottom of the tow hook casting. Leave the middle bolt in place. Retain the OEM washers for later use.

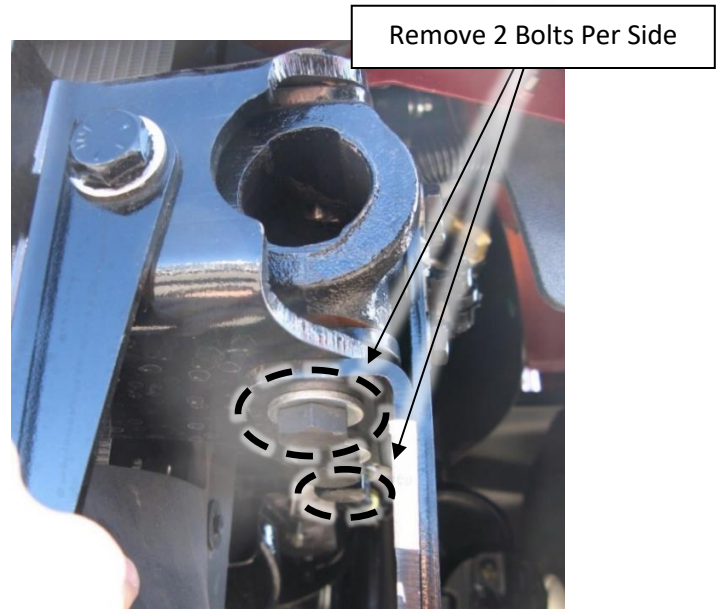


Figure 5 – Removal of Cross Member Bolts

4. Install Herd steel bracket (Item 1). The bracket must be lifted from the bottom to clear the front of the tow hook casting.

Install the Herd supplied 5/8" bolts (Item 6) from the bottom using the OEM washers retained in Step 3.

Install the Herd supplied 1/2" bolts (Item 7) from the sides using the OEM washers retained in Step 2.

Note:

If installer has a crane available, Truck Guard can be attached onto truck with bracket, otherwise disassemble Truck Guard from bracket first. Keep hardware. If HERD Truck Guard is equipped with lift assist, the springs must be removed. Refer to instructions S004 (Defender Truck Guards) or S005 (Aero/Texas Truck Guards) for proper lift assist disassembly procedure.

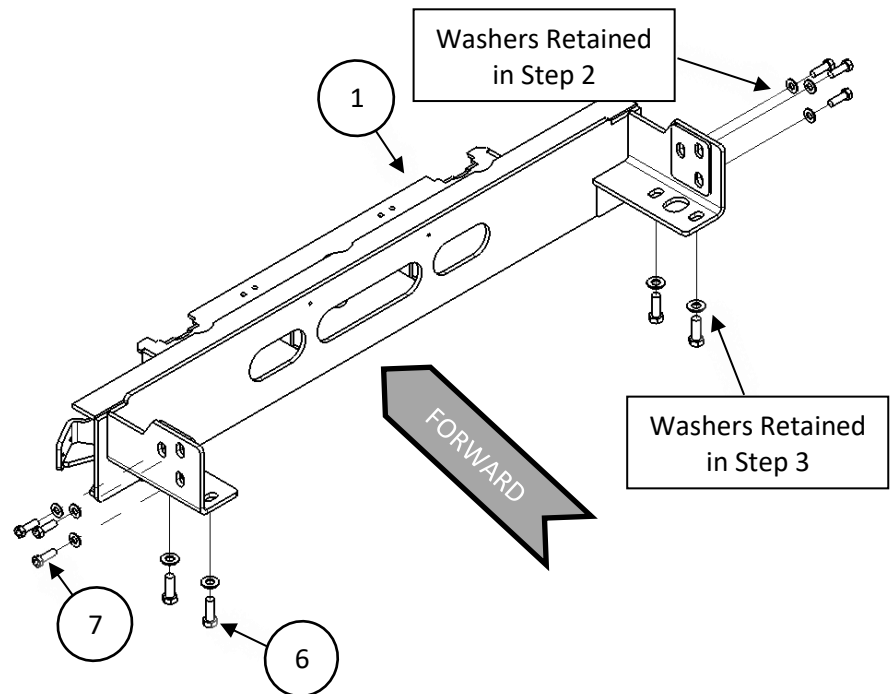


Figure 6 – HERD Loose Bracket Installation (Passenger Side Shown)

Installation Procedure

5. If the Herd Truck Guard was disassembled from bracket in Step 4, reinstall Herd Truck Guard onto bracket using the hardware kept from Step 4. Fasten both the driver and passenger sides.

For DFLT & Defender models only: To install the hinge bolts, the Truck Guard must be in the open (down) position to allow the bottom lip to go under and around the steel hinge.



Figure 7 – View of Bracket Hinge (Driver Side Shown)

6. Close the Truck Guard and check fitment. Truck Guard position can be adjusted side to side and up or down as required. Once fitment is confirmed, tighten all mounting bolts. Torque 1/2" and 5/8" hardware to 110 lb-ft.



Figure 8 – Herd Truck Guard Installed

Important

- Check mounting points after the first 5000 km and every 3-6 months.
- If this Truck Guard is equipped with Legacy Herd Slam Latch, periodic adjustment is required. Refer to Legacy Slam Latch Installation adjustment instructions to properly adjust your Slam Latch.
- The drop-forged eyebolts are an integral part of the strength of Herd Truck Guards. When tightened firmly, they will minimize vibration and provide superior impact resistance.
- To help maintain the factory finish, avoid acid wash.