



Thank you for choosing HERD!

For assistance call  
1-888-543-4373  
[www.HERD.com](http://www.HERD.com)

SKU #	
FL50BG	
Truck Models	
Freightliner Cascadia New	Western Star 5700 Narrow Rad-SBA (2015-2019)
	

### Important

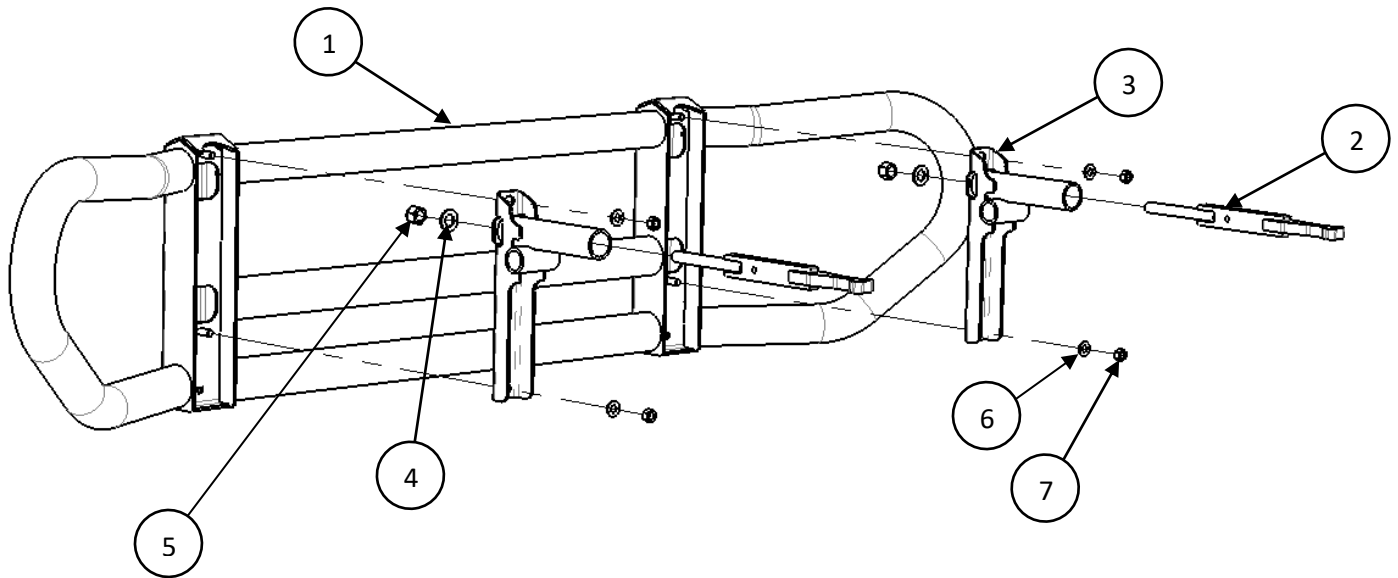
- HERD Bumpers are vehicle "Make & Model" specific. Use of a bumper on a vehicle other than the model it was designed for will constitute improper use of the product and will void HERD product warranty.
- Unless otherwise specified, Grade 8 or Class 10.9 hardware is to be used. For the purposes of these instructions, OE hardware means the truck's original factory hardware.
- For further detail of warranty coverage and warranty repair information visit [www.HERD.com](http://www.HERD.com).

### General Safety

- Take time to fully read the instructions before installing the HERD bumper.
- At all times exercise safe work shop practices, wear steel toe boots and safety glasses during installation.
- Parts and components of the HERD bumper can be heavy, please handle with care to avoid injuries.
- Respect power tools and use them as advertised.

HERD North America Inc.  
2168 Springfield Road  
Box 28, Group 525, RR5  
Winnipeg, MB. Canada R2C 2Z2

## Parts and tools referenced in this instruction



### Parts and hardware included

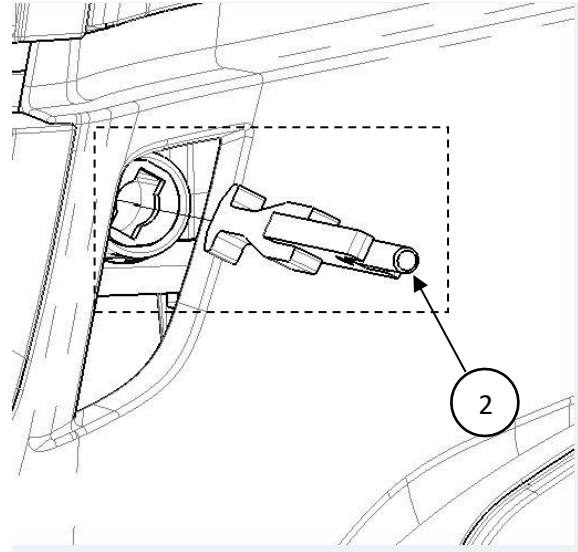
Item No	Part No	Description	Qty
1	BG-GR-06	BUMPER GUARD-2018+ CASCADIA NARROW RAD	1
2	1TBA001	ASSY-WLD CASCADIA TOW	2
3	1TBA002	ASSY-WLD SUBMOUNT	2
4	FW0.75GR8	SAE FLAT WASHER 3/4 GR8 YZP	2
5	NLN0.75-10GR8	NYLON LOCK NUT 3/4-10 GR8 YZP	2
6	FW0.5GR8	FLAT WASHER 1/2 GR8 YZP	4
7	HN0.5-13GR8	HEX NUT 1/2-13 GR8 YZP	4

### Tools Required

Tool	Specification
Socket & Ratchet	1-1/16"
Socket & Ratchet	3/4"
Wrench	1-1/16"
Wrench	3/4"

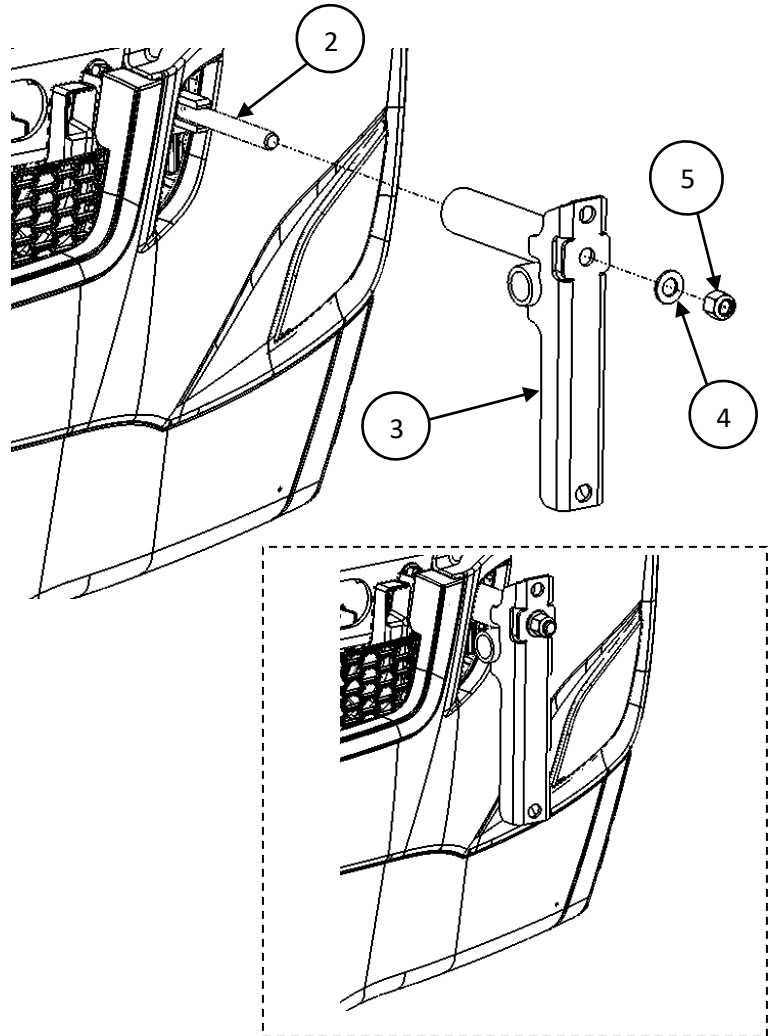
## Installation Procedure

1. Insert tow mount (Item 2) into the tow receiver hole on the truck, turn 90°.



**Figure 1** – Tow Mount Installation (driver side shown).

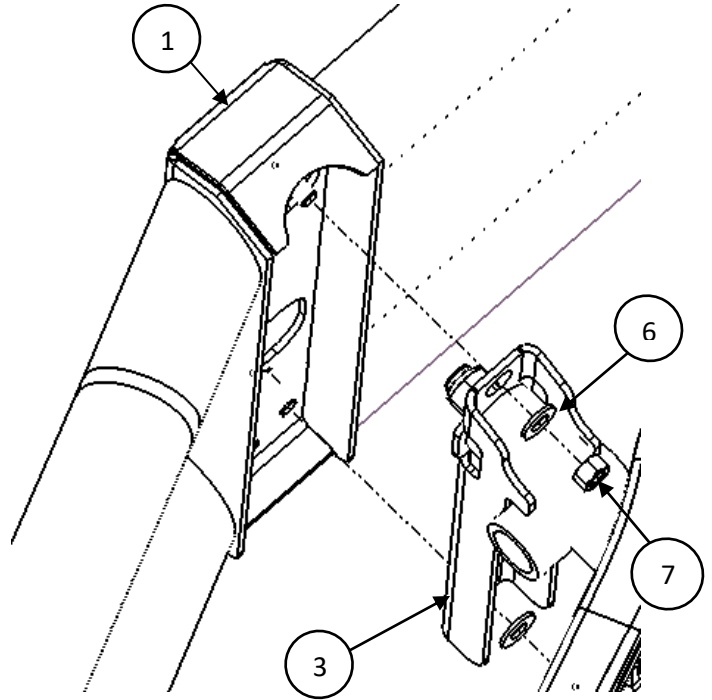
2. Attach driver side submount (Item 3) and passenger side submount to tow mounts (Item 2) using 3/4" flat washers (Item 4) and 3/4" nylon lock nuts (Item 5). Check the level and make sure the submounts are perpendicular with ground. Torque 3/4" hardware to 110 lb-ft.



**Figure 2** – Submount Installation for Alternate Bumpers (driver side shown).

## Installation Procedure

3. Install bumper guard onto submounts. From backside of upright, install  $\frac{1}{2}$ " lock washers (Item 6) and  $\frac{1}{2}$ " hex nuts (Item 7) as shown. Center and level the bumper guard and torque hardware to 86 lb-ft.



**Figure 3 – Bumper Guard Attached to Submounts (driver side shown).**

4. Carefully open the truck's hood to ensure there is no interference with the hood and top of the bumper guard.

**Note:**

If bumper guard adjustment is required, loosen hardware, readjust, then tighten all hardware.



**Figure 4 – Bumper Guard Attached to a Truck.**

**Important**

- Check mounting points after the first 5000 km and every 3-6 months.