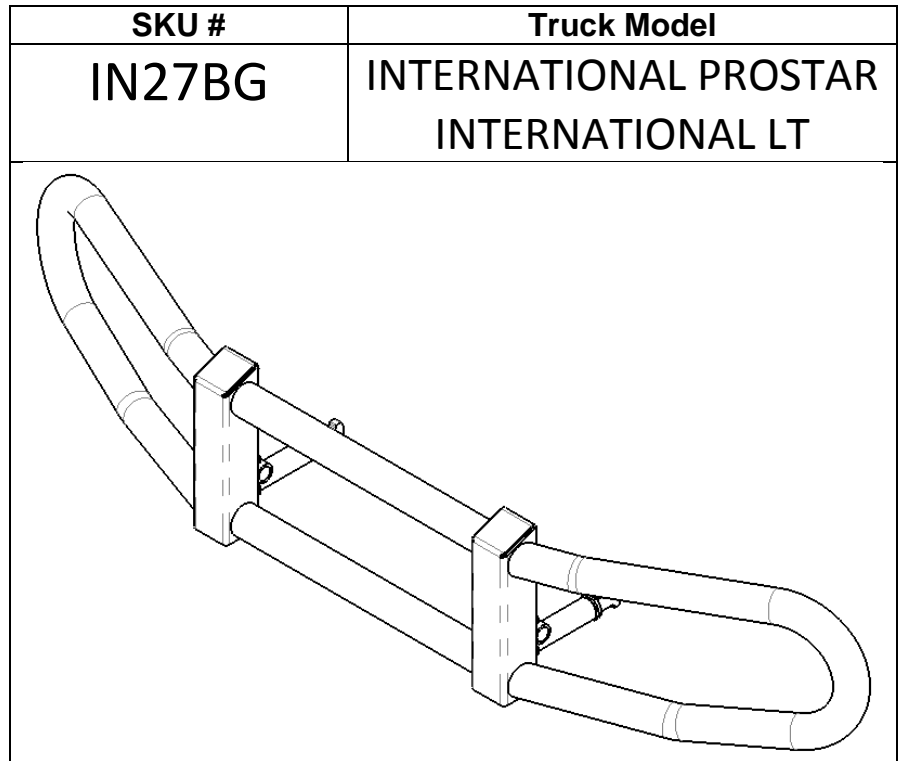


Thank you for choosing HERD!

For assistance call
1-888-543-4373
www.HERD.com



Important

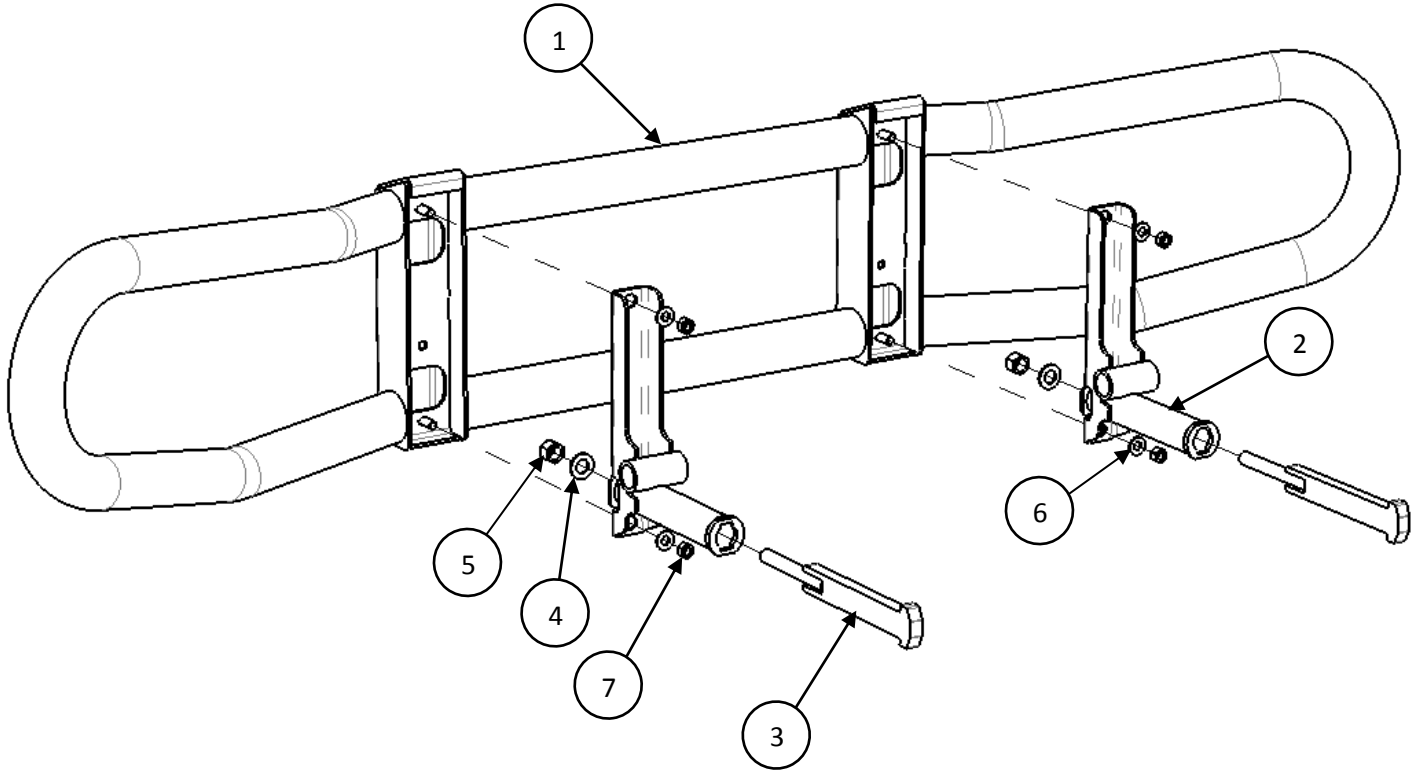
- HERD Bumpers are vehicle "Make & Model" specific. Use of a bumper on a vehicle other than the model it was designed for will constitute improper use of the product and will void HERD product warranty.
- Unless otherwise specified, Grade 8 or Class 10.9 hardware is to be used. For the purposes of these instructions, OE hardware means the truck's original factory hardware.
- For further detail of warranty coverage and warranty repair information visit www.HERD.com.

General Safety

- Take time to fully read the instructions before installing the HERD bumper.
- At all times exercise safe work shop practices, wear steel toe boots and safety glasses during installation.
- Parts and components of the HERD bumper can be heavy, please handle with care to avoid injuries.
- Respect power tools and use them as advertised.

HERD North America Inc.
2168 Springfield Road
Box 28, Group 525, RR5
Winnipeg, MB. Canada R2C 2Z2

Parts and tools referenced in this instruction



Parts and hardware included

Item No	Part No	Description	Qty
1	BG-GR-07	BUMPER GUARD-2018+ CASCADIA NARROW RAD	1
2	1TBA004	ASSY-WLD SUBMOUNT	2
3	1TBA003	ASSY-WLD TOW	2
4	FW0.75GR8	SAE FLAT WASHER 3/4 GR8 YZP	2
5	NLN0.75-10GR8	NYLON LOCK NUT 3/4-10 GR8 YZP	2
6	FW0.5GR8	FLAT WASHER 1/2 GR8 YZP	4
7	HNO.5-13GR8	HEX NUT 1/2-13 GR8 YZP	4

Tools Required

Tool	Specification
Socket & Ratchet	1-1/8"
Socket & Ratchet	3/4"
Wrench	1-1/8"
Wrench	3/4"

Installation Procedure

1. Insert tow receiver stud (Item 3) into tow receivers of truck frame and rotate 90° to lock it in place. Repeat on opposite side of bumper.

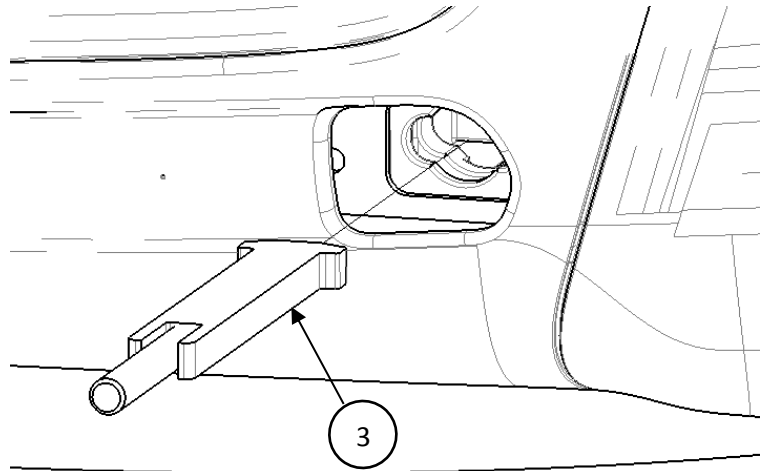


Figure 1 – Tow stud installation (Driver side shown).

2. Attach driver side sub-mount (Item 3) and passenger side sub-mount to tow receiver stud (Item 3) using 3/4" flat washers (Item 4) and 3/4" nylon lock nuts (Item 5). Check the level and make sure the sub-mounts are perpendicular with ground. Torque 3/4" hardware to 110 lb-ft.

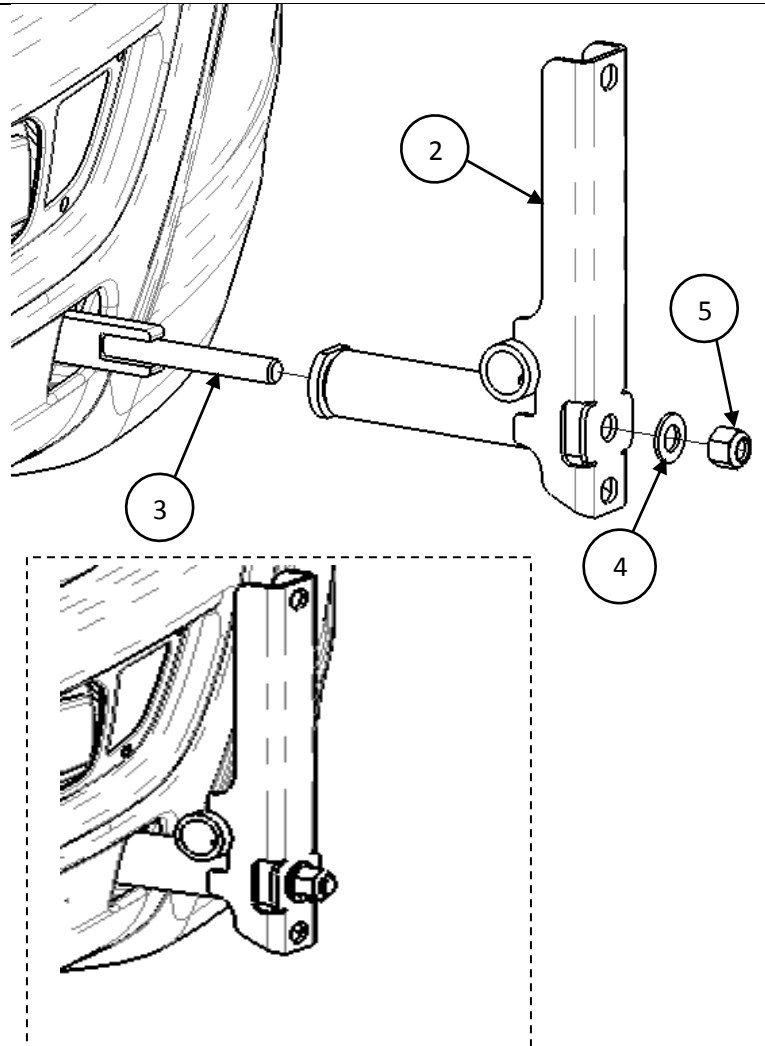


Figure 2 – Submount installation for alternate bumpers (Driver side shown).

Installation Procedure

3. Install bumper guard onto sub-mounts. From backside of upright, install $\frac{1}{2}$ " lock washers (Item 6) and $\frac{1}{2}$ " hex nuts (Item 7) as shown. Center and level the bumper guard and torque hardware to 86 lb-ft.

Note:

If bumper guard adjustment is required, loosen hardware, readjust, then tighten all hardware.

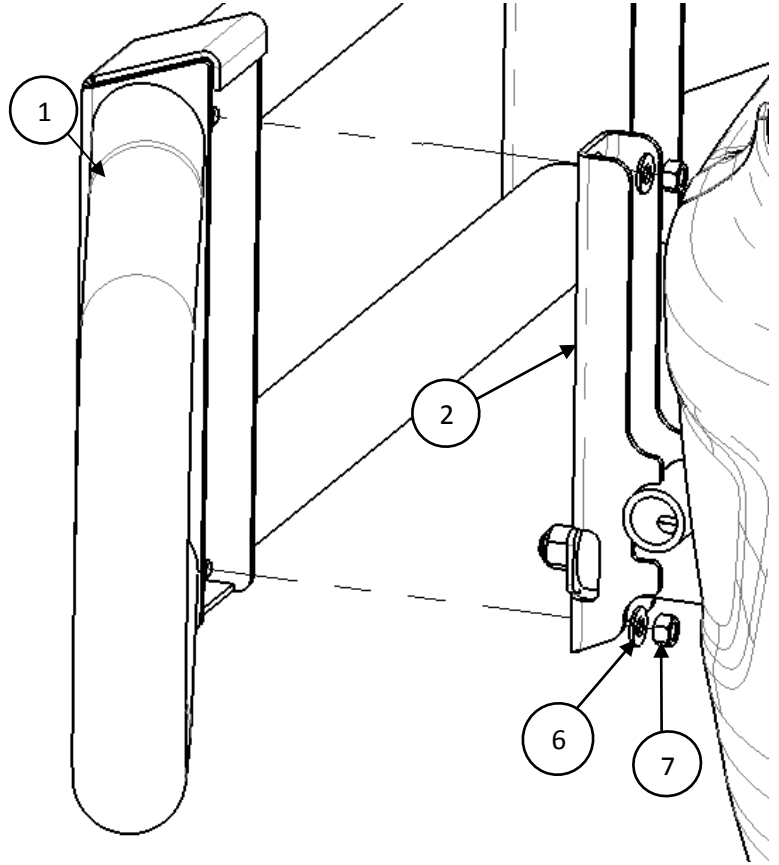


Figure 3 – Bumper guard attached to sub-mounts (Driver side shown).

Important

- Check mounting points after the first 5000 km and every 3-6 months.