

# HERD IN27G2/G3 Installation Procedure

- This document shows how to install your new Grille Guard onto your truck.
- Ensure that you have completely read and understand document **S017 - Safety** before beginning this installation procedure.

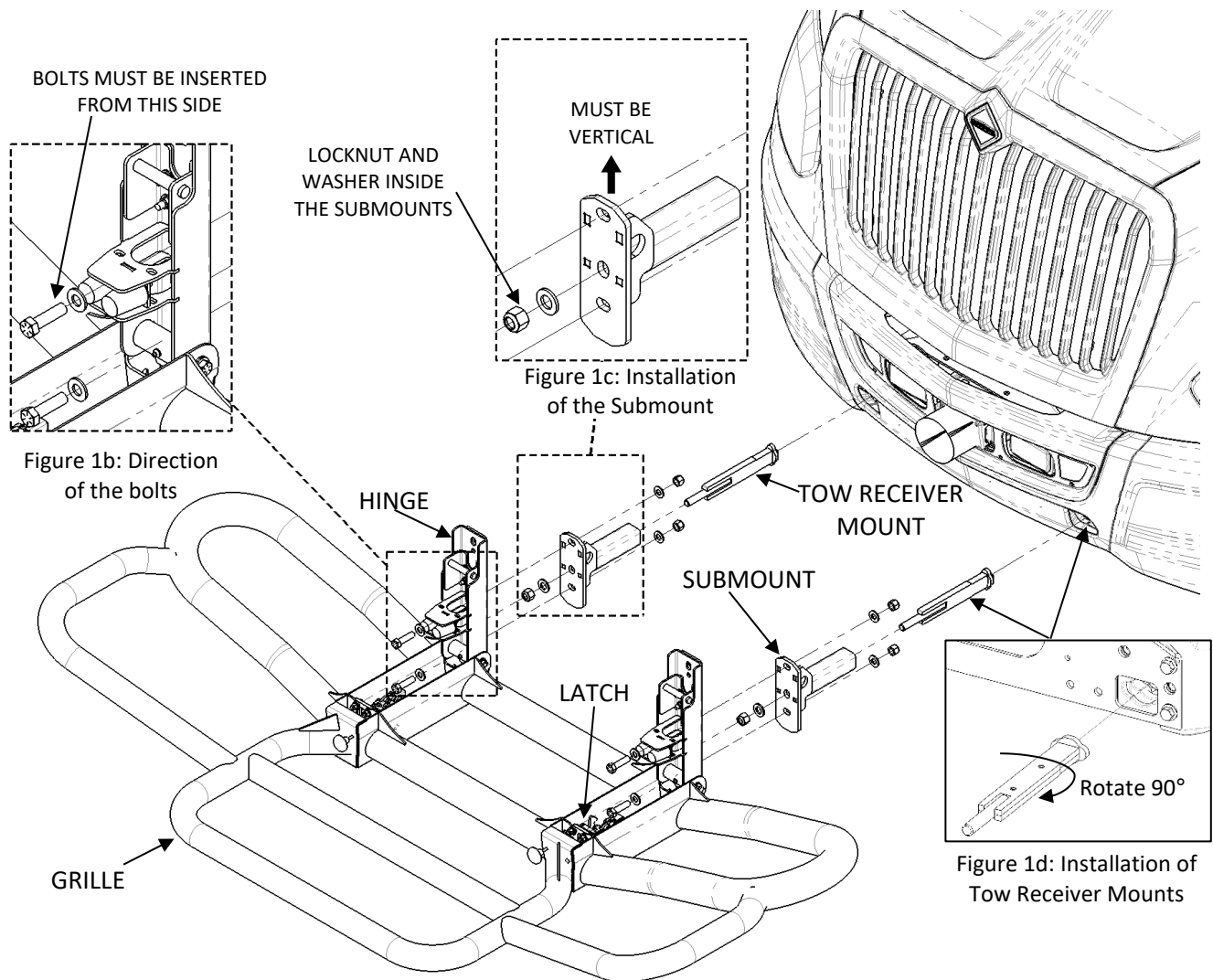


Figure 1a: Grille Guard installation (Your Grille Guard may not be exactly as shown)

1. Insert Tow Receiver Mounts into tow receivers on truck frame and rotate 90° to lock in place as shown in Figure 1d.
2. Install Submounts over Tow Receiver Mounts (**Orientation shown in Figure 1c**). **Torque lock nut into Submounts on threaded rod of Tow Receiver Mounts (Figure 1c) to 240 ft-lb.**
3. Lay Grille flat on ground in front of truck on a pallet or protective sheet.
4. Open driver side Hinge and lift to driver side Submount. Hand tighten upper hardware shown in Figure 1a (**do not fully tighten**). Repeat for passenger side. **Ensure bolts are inserted from front (Hinge side) as shown in Figure 1c.**
5. Assemble lower hardware on both sides. Hand tighten hardware (**do not fully tighten**). After all four fasteners have been assembled, **torque to 110 ft-lb**, starting with upper hardware.
6. Please proceed to document **S018 – Grille Guard Latch Adjustment Procedure** for Latch adjustment.

**Important: Check mounting point's hardware after the first 5000 km and every 3-6 months. Re-torque if necessary.**