

- This document shows how to install your new Truck Guard onto your truck.
- Ensure that you have completely read and understand document **S017 - Safety** before beginning this installation procedure.

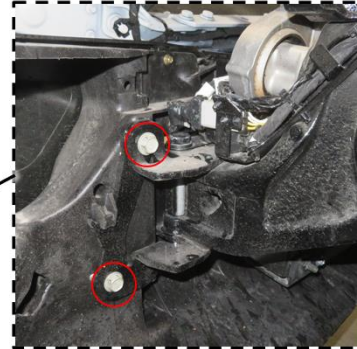


Figure 1a:
OEM Front Bumper fasteners
(DS shown)

Figure 1: Removing the OEM Front Bumper (Your Truck may not be exactly as shown)

I. Removing the OEM Front bumper

1. Unplug the OEM Light's Wiring Harness and detach the Block Heater Cord from the OEM Front Bumper (if applicable).
2. Remove the OEM Front Bumper by accessing the fasteners as shown in Figure 1a.

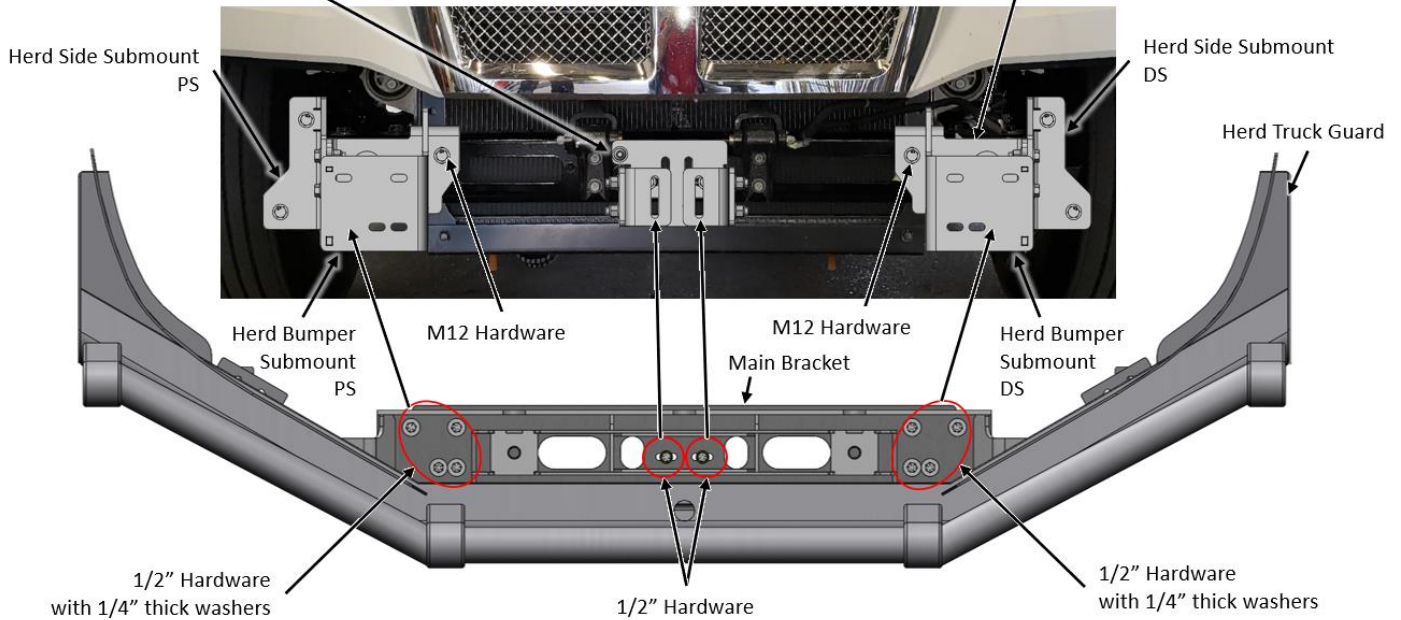
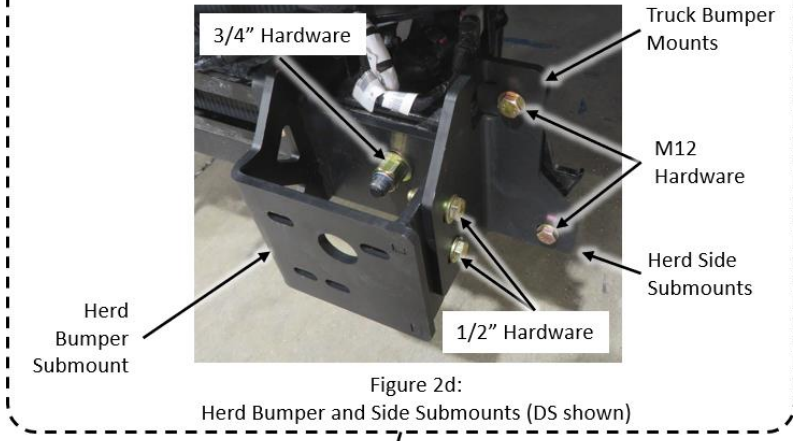
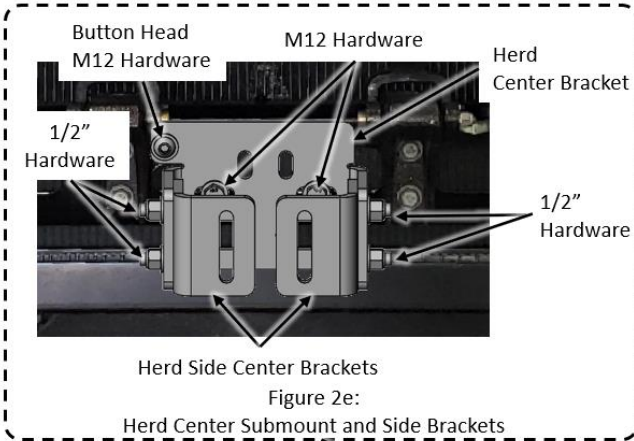
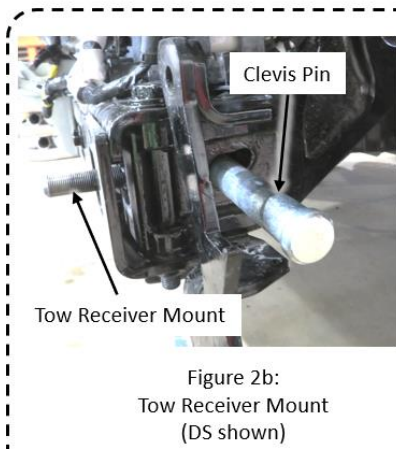
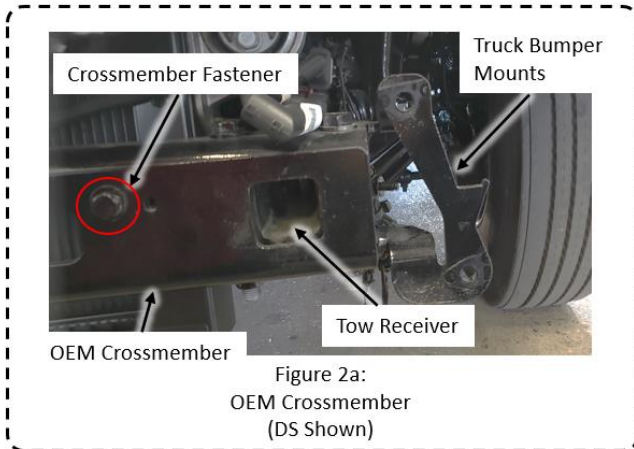


Figure 2: Herd Submounts and Truck Guard Installation

II. Installing the HERD Submounts and Truck Guard

1. Remove the Crossmember fastener from the OEM crossmember as shown in Figure 2a. Do this one side at a time
2. Install the Herd Tow Receiver Mount to the truck's Tow Receiver, see Figure 2b. Use the supplied Clevis Pin and Spring Clip as shown in Figure 2c.
3. Install the HERD Bumper Submount using the provided M12 and 3/4" hardware, see Figure 2d and 2f. Then install the Herd Side Submount with the supplied M12 and 1/2" hardware. **Torque the 1/2" hardware to 96 ft-lb, M12 hardware to 83 ft-lb and the 3/4" hardware to 240 ft-lb.**
4. Repeat steps 1 to 3 on the other side of the truck.
5. Remove Radar from the Crossmember (if applicable).
6. Mount the Herd Center Brackets using the provided M12 fasteners as shown in Figure 2e. **Torque M12 hardware to 83 ft-lb.**
7. Install the Herd Side Center Brackets to the Herd Center Bracket using 1/2" hardware, see Figure 2e. Loosely tighten the fastener for later adjustment.
8. Install Herd Main Bracket - Truck Guard Assembly (Opened) to the truck as shown in Figure 2f. Use the provided 1/2" hardware and 1/4" Thick Washers on the Herd Submounts. And 1/2" hardware on the Herd Center Side Brackets. **Torque the 1/2" hardware to 96 ft-lb.**
9. Fully tighten the 1/2" hardware that is mounted on the Herd Side Center Brackets to the Herd Center Bracket. **Torque the 1/2" hardware to 96 ft-lb.**
10. Close the bumper and check the slam latch adjustment. If necessary, adjust the slam latch. Refer to Slam Latch Adjustment Instructions to properly adjust your slam latch.

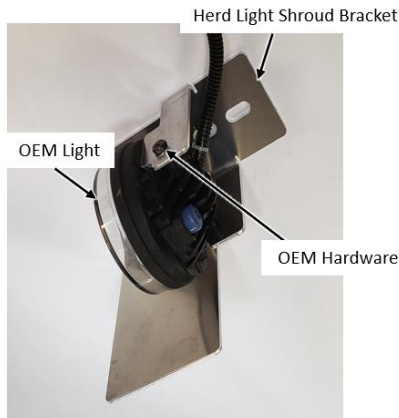


Figure 3a:
OEM light and Herd OEM Light Shroud Bracket
(DS shown)

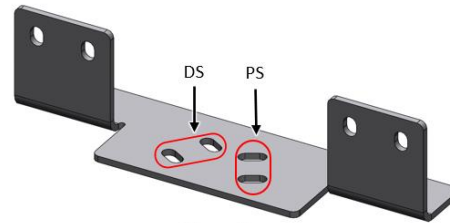


Figure 3b:
Herd Light Bumper Bracket

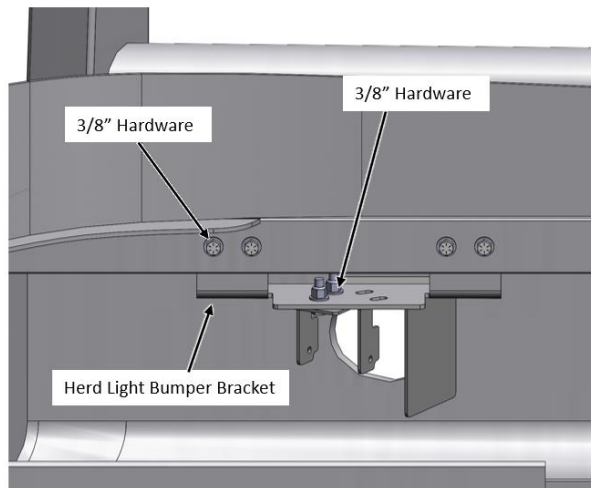


Figure 3c:
Herd OEM Light Bracket KIT to Bumper Assembly
OEM Light not shown for clarity
(DS shown)

Figure 3: OEM Light and Herd Bracket Installation

III. Installing the HERD OEM Light Bracket for a Kenworth T680

1. Mount OEM Light to the Herd Light Shroud Bracket using the OEM hardware, see Figure 3a.
2. Mount the OEM light – Herd Light Shroud assembly to the Herd Light Bumper Bracket's specific holes as shown in Figure 3b. Fasten loosely using the provided 3/8" hardware, see Figure 3c.
3. Secure the Herd Light Bumper Bracket to the bumper using the provided 3/8" hardware. Adjust the OEM light bracket alignment as necessary then fully tighten.
4. Plug the OEM light harness into each fog light and check if it functions normally. Secure loose wiring with cable ties.
5. Repeat steps 1 to 4 on the other side of the truck.

Important: Check mounting points' hardware after the first 5000 km and every 3-6 months. Re-torque if necessary.