

- This document shows how to install your new Truck Guard onto your truck.
- Ensure that you have completely read and understand document **S017 - Safety** before beginning this installation procedure.
- You will require **Blue Threadlocker** for installation.

I. Removing the OEM Front bumper



Figure 1a:
OEM Front Bumper fasteners
(DS shown)

Figure 1: Removing the OEM Front Bumper (Your Truck may not be exactly as shown)

1. Unplug the OEM Fog Light's Wiring Harness (if applicable).
2. Remove the OEM Front Bumper by accessing the fasteners as shown in Figure 1a.

II. Installing the HERD Submounts and Truck Guard

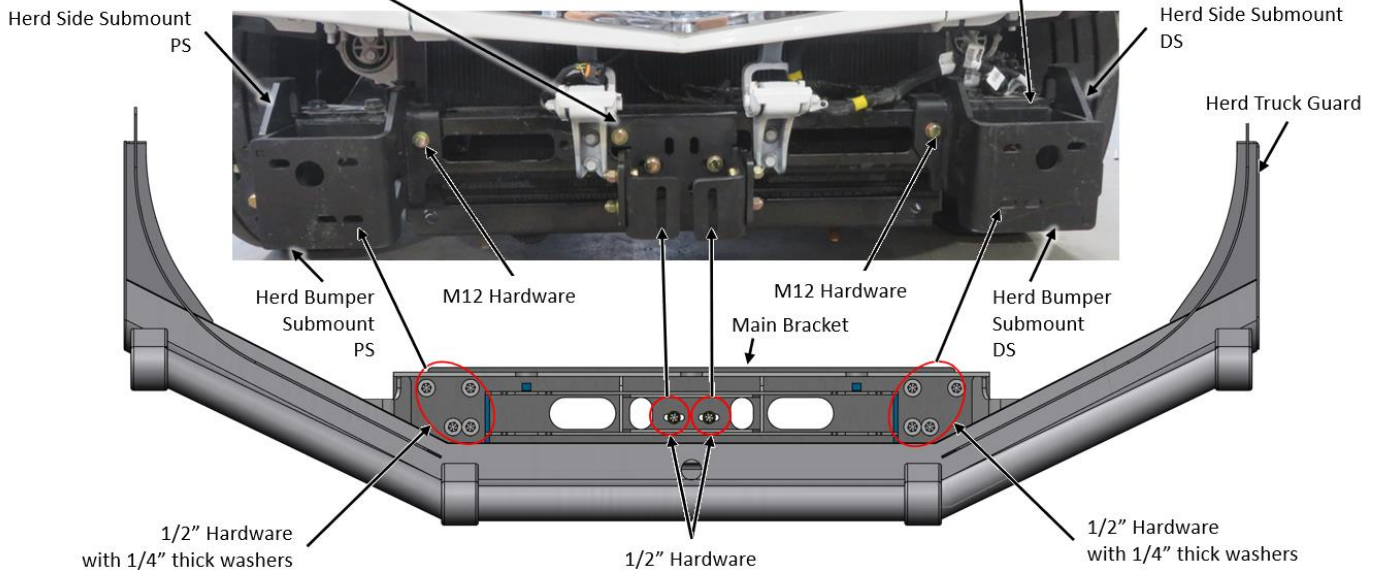
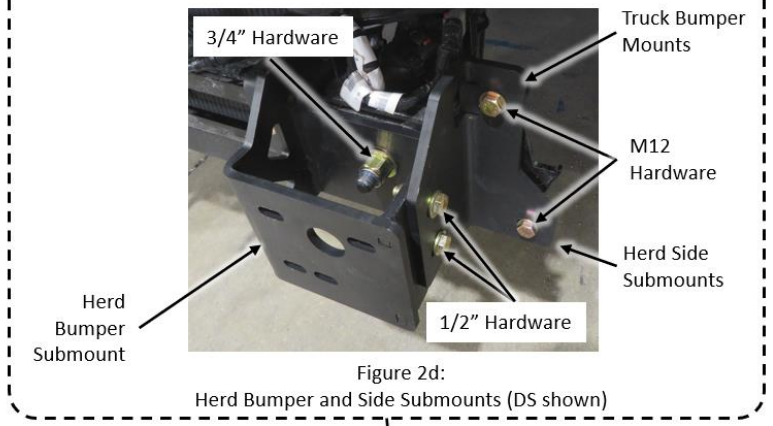
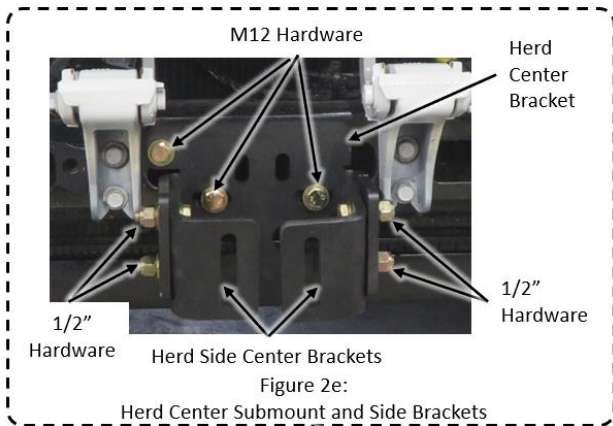
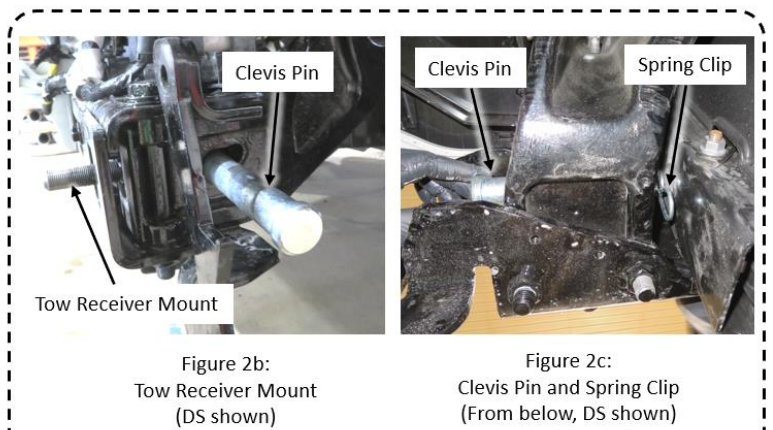
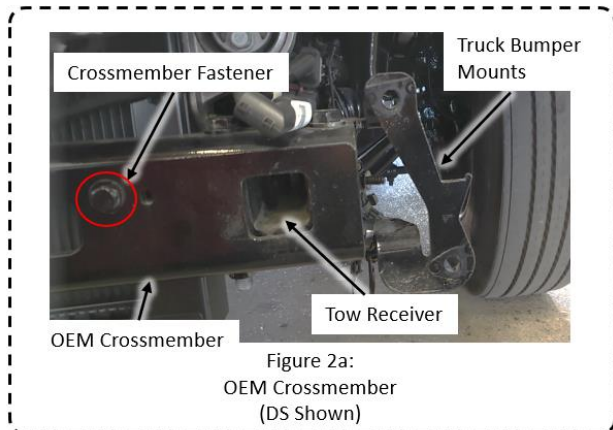


Figure 2: Herd Submounts and Truck Guard Installation

1. Remove the Crossmember Fastener from one of the sides of the OEM Crossmember as shown in Figure 2a.
2. On the same side selected in Step 1, install the Herd Tow Receiver Mount the truck's Tow Receiver; see Figure 2b. Use the supplied Clevis Pin and Spring Clip as shown in Figure 2c.
3. On the same side selected in Step 1, install the HERD Bumper Submount using the provided M12 (with Blue Threadlocker) and 3/4" Hardware; see Figure 2d and 2f. Then install the Herd Side Submount with the supplied M12 and 1/2" Hardware. **Torque the 1/2" Hardware to 96 ft-lb, M12 Hardware to 83 ft-lb and the 3/4" Hardware to 240 ft-lb.**
4. Repeat Steps 1 to 3 on the other side of the truck.
5. Remove Collision Avoidance System (CAS) Radar from the Crossmember (if applicable).
6. Mount the Herd Center Brackets using the provided M12 fasteners (with Blue Threadlocker) as shown in Figure 2e. **Torque M12 Hardware to 83 ft-lb.**
7. Install the Herd Side Center Brackets to the Herd Center Bracket using 1/2" Hardware; see Figure 2e. Loosely install the fastener for later adjustment.
8. Install Herd Main Bracket - Truck Guard Assembly (Opened) to the truck as shown in Figure 2f. Use the provided 1/2" Hardware and 1/4" Thick Washers on the Herd Submounts. And 1/2" Hardware on the Herd Center Side Brackets. **Torque the 1/2" Hardware to 96 ft-lb.**
9. Fully tighten the 1/2" Hardware that is mounted on the Herd Side Center Brackets to the Herd Center Bracket. **Torque the 1/2" Hardware to 96 ft-lb.**
10. Close the Herd Bumper and check the Slam Latch adjustment (if applicable). If necessary, adjust the Slam Latch. Refer to Slam Latch Adjustment Guide (Legacy) to properly adjust your Slam Latch.

III. Installing the HERD OEM Light Bracket

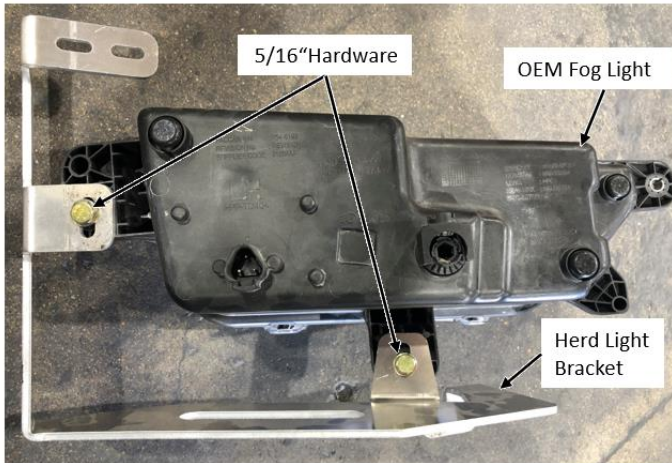


Figure 3a: Herd Light Bracket and OEM Fog Light (DS shown)

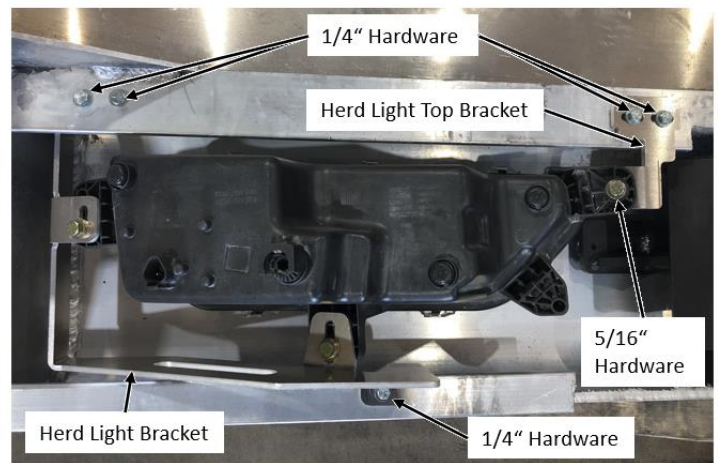


Figure 3b: Herd Bumper and OEM Light Bracket (DS shown)

Figure 3: OEM Fog Light and Herd Bracket Installation

1. Remove the OEM Fog Lights from the OEM front bumper (if applicable).
2. Mount OEM Fog Light to the Herd Light Bracket using 5/16" Hardware (fasten loosely); see Figure 3a.
3. Using the provided 1/4" Hardware, mount the OEM Fog Light – Herd Light Bracket Assembly to the Herd Bumper (fasten loosely) as shown in Figure 3b. Install the Herd Light Top Bracket to the OEM Fog Light and the Herd Bumper using the provided 5/16" and 1/4" Hardware (fasten loosely); see Figure 3b. Adjust the OEM Fog Lights alignment as necessary then fully tighten all hardware.
4. Plug the OEM Fog Light Harness into each Fog Light and ensure proper functionality. Secure loose wiring with cable ties.

Important: Check mounting points' hardware after the first 5000 km and every 3-6 months. Re-torque if necessary.