

- This document shows how to install your new Truck Guard onto your truck.
- Ensure that you have completely read and understand document **S017 - Safety** before beginning this installation procedure.



Figure 1a:
OEM Front Bumper fasteners
(DS shown)

Figure 1: Removing the OEM Front Bumper (Your Truck may not be exactly as shown)

I. Removing the OEM Front bumper

1. Unplug the OEM Light's Wiring Harness and detach the Block Heater Cord (if applicable).
2. Remove the OEM Front Bumper by accessing the fasteners as shown in Figure 1a.

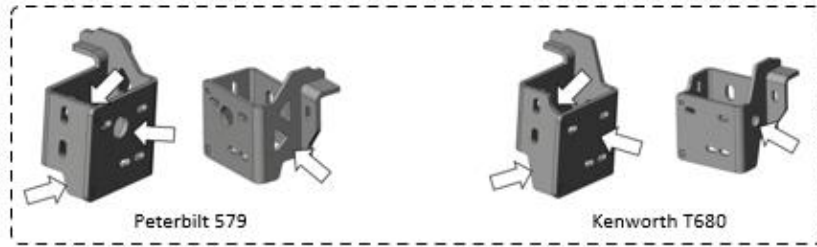


Figure 2g: Herd Bumper Submounts for Peterbilt 579 and Kenworth T680

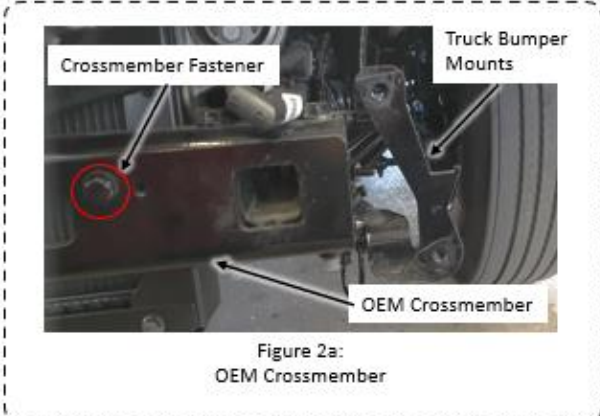


Figure 2a:
OEM Crossmember



Figure 2b:
Tow Receiver Mount
(DS shown)

Figure 2c:
Clevis Pin and Spring Clip
(Underneath the truck, DS shown)

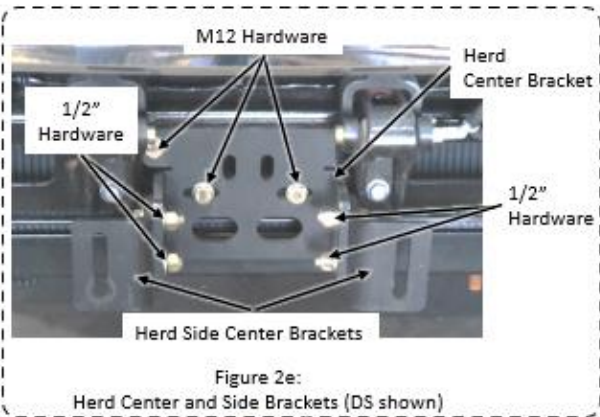


Figure 2e:
Herd Center and Side Brackets (DS shown)

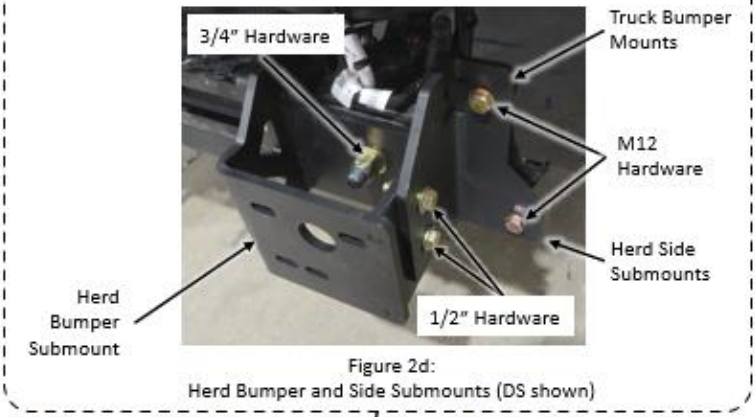


Figure 2d:
Herd Bumper and Side Submounts (DS shown)

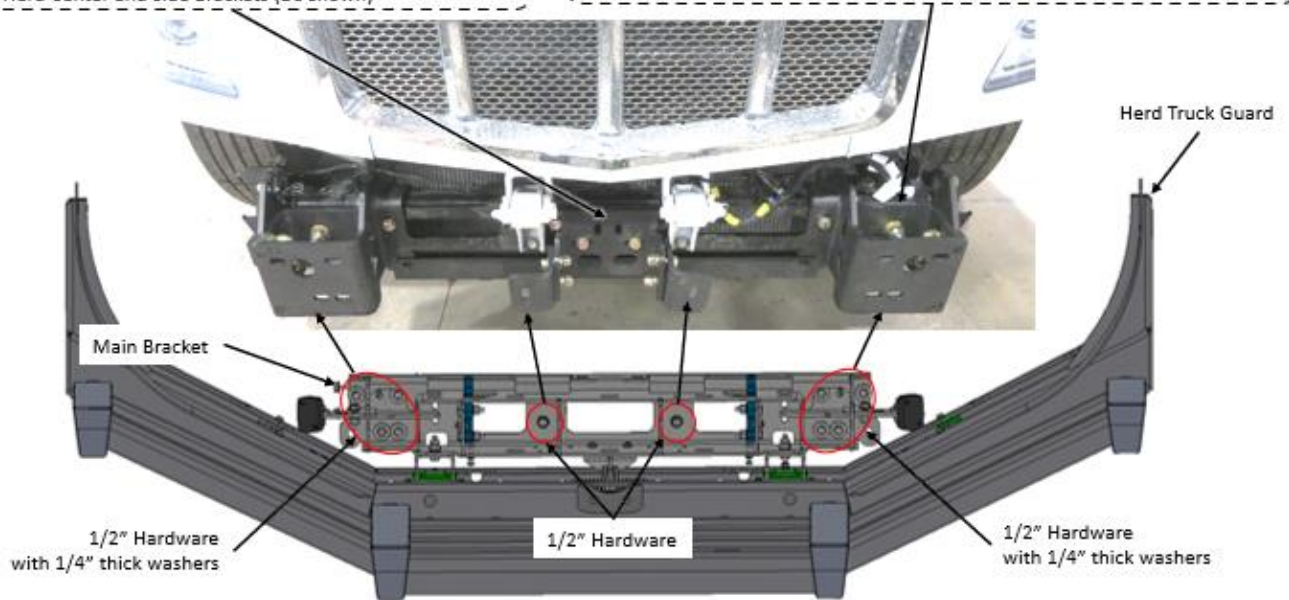


Figure 2f: Herd Truck Guard Assembly

Figure 2: Herd Submounts and Truck Guard Installation

II. Installing the HERD Submounts and Truck Guard

1. Remove the Crossmember fastener from the OEM crossmember as shown in Figure 2a. Do this one side at a time
2. Install the Herd Tow Receiver Mounts to the truck's Tow Receiver, see Figure 2b. Use the supplied Clevis Pin and Spring Clip as shown in Figure 2c.
3. Install the HERD Bumper Submounts using the provided 3/4" hardware, see Figure 2d. Then install the Herd Side Submounts with the supplied M12 and 1/2" hardware. **Torque the 1/2" hardware to 96 ft-lb, M12 hardware to 83 ft-lb and the 3/4" hardware to 240 ft-lb.** Please use the specific Herd Bumper Submount for your Truck Model as shown in Figure 2g.
4. Repeat steps 1 to 3 on the other side of the truck.
5. If the truck is equipped with Radar Sensor, disconnect the Radar Sensor, and remove the Radar Sensor Bracket. Retain the Radar Sensor and hardware for later use.
6. Mount the Herd Center Brackets using the provided M12 fasteners as shown in Figure 2e. **Torque M12 hardware to 83 ft-lb.**
7. Install the Herd Side Center Brackets to the Herd Center Bracket using 1/2" hardware, see Figure 2e. Loosely tighten the fastener for later adjustment.
8. Install Herd Main Bracket - Truck Guard Assembly to the truck as shown in Figure 2f. Use the provided 1/2" hardware and 1/4" Thick Washers on the Herd Submounts. And 1/2" hardware on the Herd Center Side Brackets. **Torque the 1/2" hardware to 96 ft-lb.**
9. Fully tighten the 1/2" hardware that is mounted on the Herd Side Center Brackets to the Herd Center Bracket. **Torque the 1/2" hardware to 96 ft-lb.**
10. Install Radar Sensor (if applicable) to the Herd Sensor Bracket using Radar Sensor Bracket Installation Procedure(S009).
11. Close the bumper and check the slam latch adjustment. If necessary, adjust the slam latch. Refer to Slam latch Installation adjustment instructions (S012) to properly adjust your slam latch.

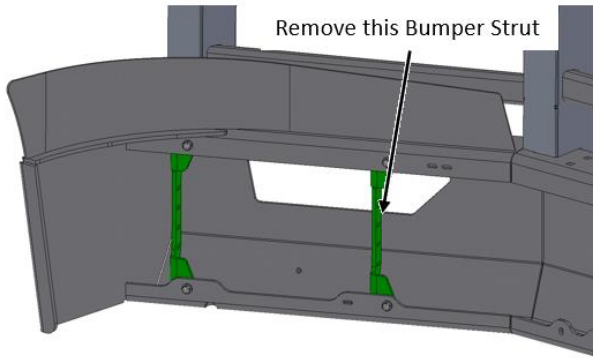


Figure 3a:
Herd Bumper and Struts
(DS shown)

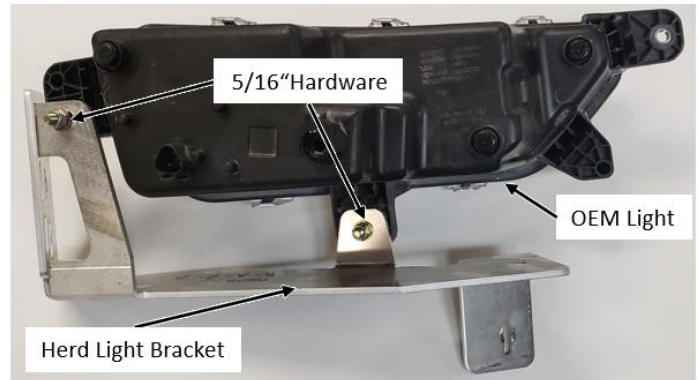


Figure 3b:
Herd Light Bracket and OEM light
(DS shown)

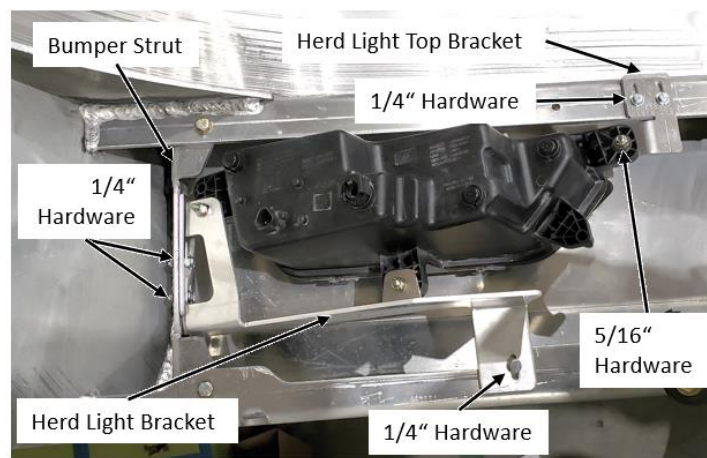


Figure 3c:
Herd Bumper and OEM Light Bracket
(DS shown)

III. Installing the HERD OEM Light Bracket for a Peterbilt 579

1. Remove the Inner Bumper Strut as shown in Figure 3a. Do this one side at a time
2. Mount OEM Lights to the Herd Light Bracket using 5/16" hardware, see Figure 3b.
3. Using the provided 1/4" hardware, mount the OEM Light – Herd Light Bracket Assembly to the bumper as shown in figure 3c. Install the Herd Light Top Bracket to the OEM light and the Bumper Strut using the provided 1/4" and 5/16" hardware, Figure 3c.
4. Plug the OEM light harness into each fog light and check if it functions normally. Secure loose wiring with cable ties.

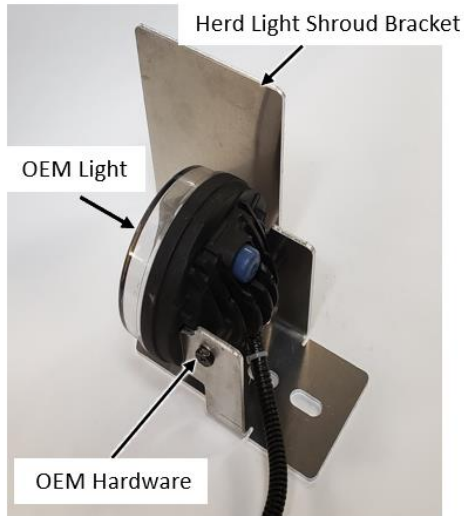


Figure 4a:
OEM light and Herd OEM Light Shroud Bracket
(DS shown)

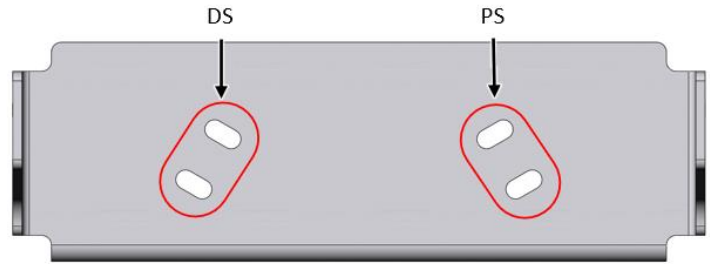


Figure 4b:
Herd Light Bracket
(DS shown)

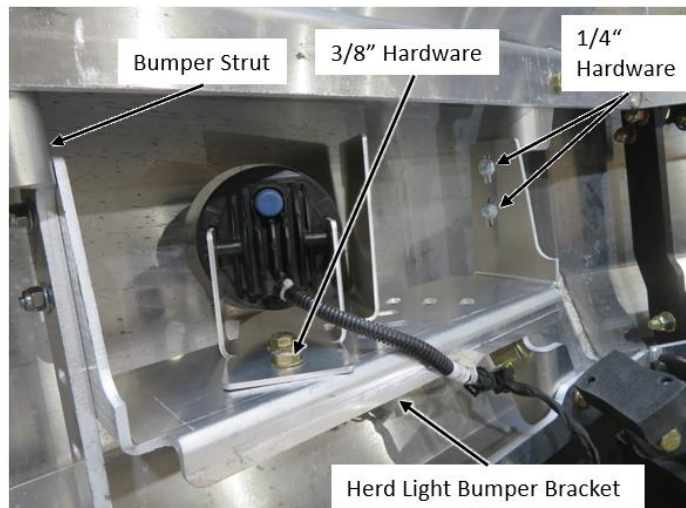


Figure 4c:
Herd OEM Light Bracket KIT to Bumper Assembly
(DS shown)

Figure 4: OEM Light and Herd Bracket Installation

IV. Installing the HERD OEM Light Bracket for a Kenworth T680

1. Mount OEM Light to the Herd Light Shroud Bracket using the OEM hardware, see Figure 4a.
2. Mount the OEM light – Herd Light Shroud assembly to the Herd Light Bumper bracket's specific holes as shown in Figure 4b. Fasten loosely using the provided 3/8" hardware, see Figure 4c.
3. Secure the Herd Light Bumper Bracket to the bumper struts using the provided 1/4" hardware. Adjust the OEM light bracket alignment as necessary then fully tighten.
4. Plug the OEM light harness into each fog light and check if it functions normally. Secure loose wiring with zip ties.

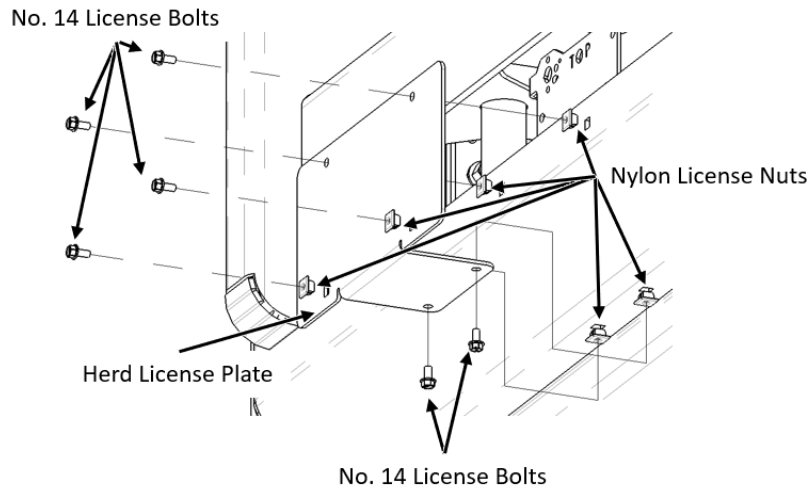


Figure 5: Herd License Plate Installation

V. HERD License Plate Installation

1. Insert the nylon license nuts into the square cut-outs in the bumper and license plate bracket. Bolt the bracket into place using the provided No. 14 license bolts. The front four bolts can be used to mount a license plate as needed. See Figure 5.

Important: Check mounting points hardware after the first 5000 km and every 3-6 months. Re-torque if necessary.