

# HERD VV05BG Installation Procedure

- This document shows how to install your new Bumper Guard onto your truck.
- Ensure that you have completely read and understand document **S017 - Safety** before beginning this installation procedure.

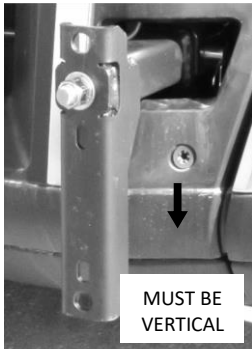


Figure 1c: Installation of Submount

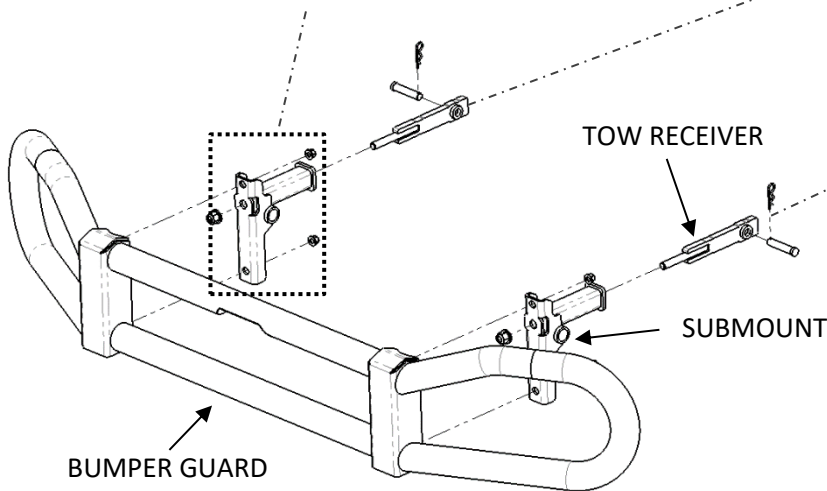
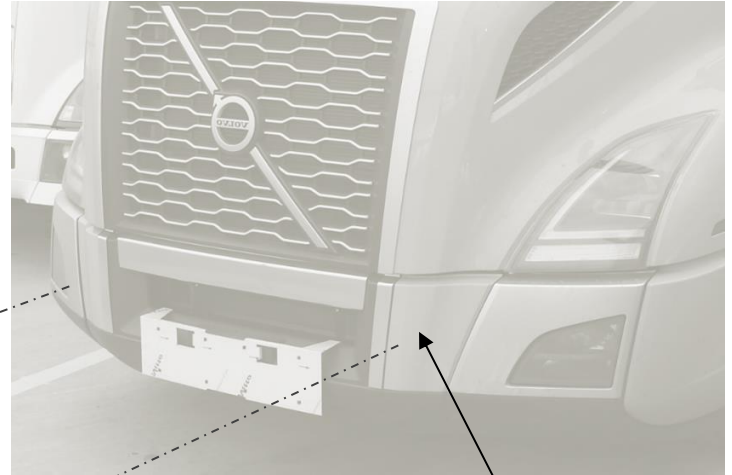


Figure 1a: Bumper Guard installation (Your Bumper Guard may not be exactly as shown)

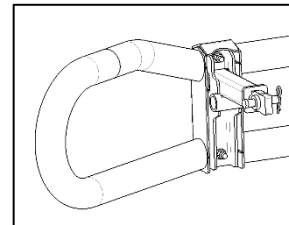


Figure 1d: Rear view of submounts

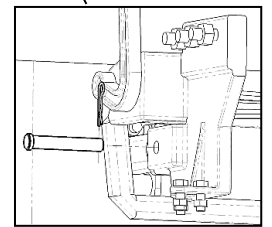


Figure 1b: Rear view of tow receiver

1. Insert Tow Receiver Mounts into tow receivers on truck. Secure using Clevis Pins and Hairpins (Figure 1b)
2. Install Submounts over Tow Receiver Mounts (**Orientation shown in Figure 1c**). **Torque lock nut into Submounts on threaded rod of Tow Receiver Mounts (Figure 1c) to 240 ft-lb.**
3. Install Bumper Guard onto submounts. **Center and level the bumper guard and torque hardware (Figure 1d) to 86 ft-lb.**

**Important: Check mounting point's hardware after the first 5000 km and every 3-6 months. Re-torque if necessary.**