

- This document shows how to install your new Truck Guard onto your truck.
- Ensure that you have completely read and understand document **S017 - Safety** before beginning this installation procedure.



Figure 1b: Remove OEM Front Bumper

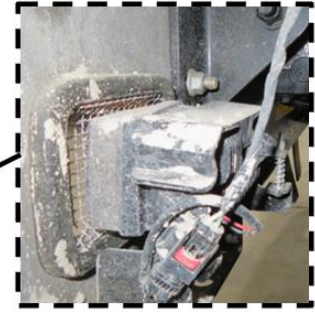
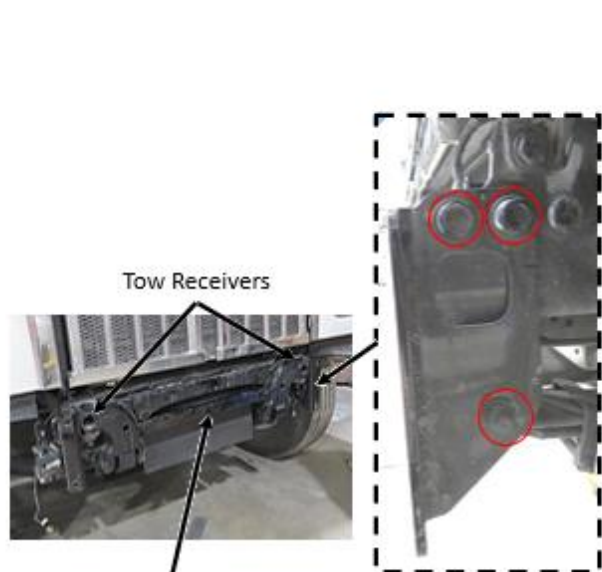


Figure 1a: OEM Light Wiring Harness

Figure 1: Removing the OEM Front Bumper (Your Truck may not be exactly as shown)

## I. Removing the OEM Front bumper

1. Unplug the OEM Light's Wiring Harness as shown in Figure 1a and detach the Block Heater Cord (if applicable).
2. Remove the OEM Front Bumper, see Figure 1b.



OEM Center Crossmember  
(OEM Front Bumper Removed)

Figure 2a:  
OEM Bumper Mount  
(DS Shown)

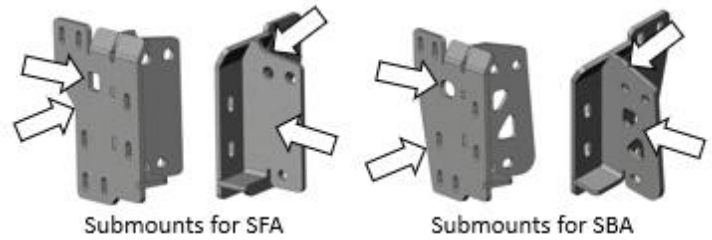


Figure 2c: Herd Bumper Submounts for Set Forward Axle (SFA) and Set Back Axle (SBA) Truck (DS Shown)

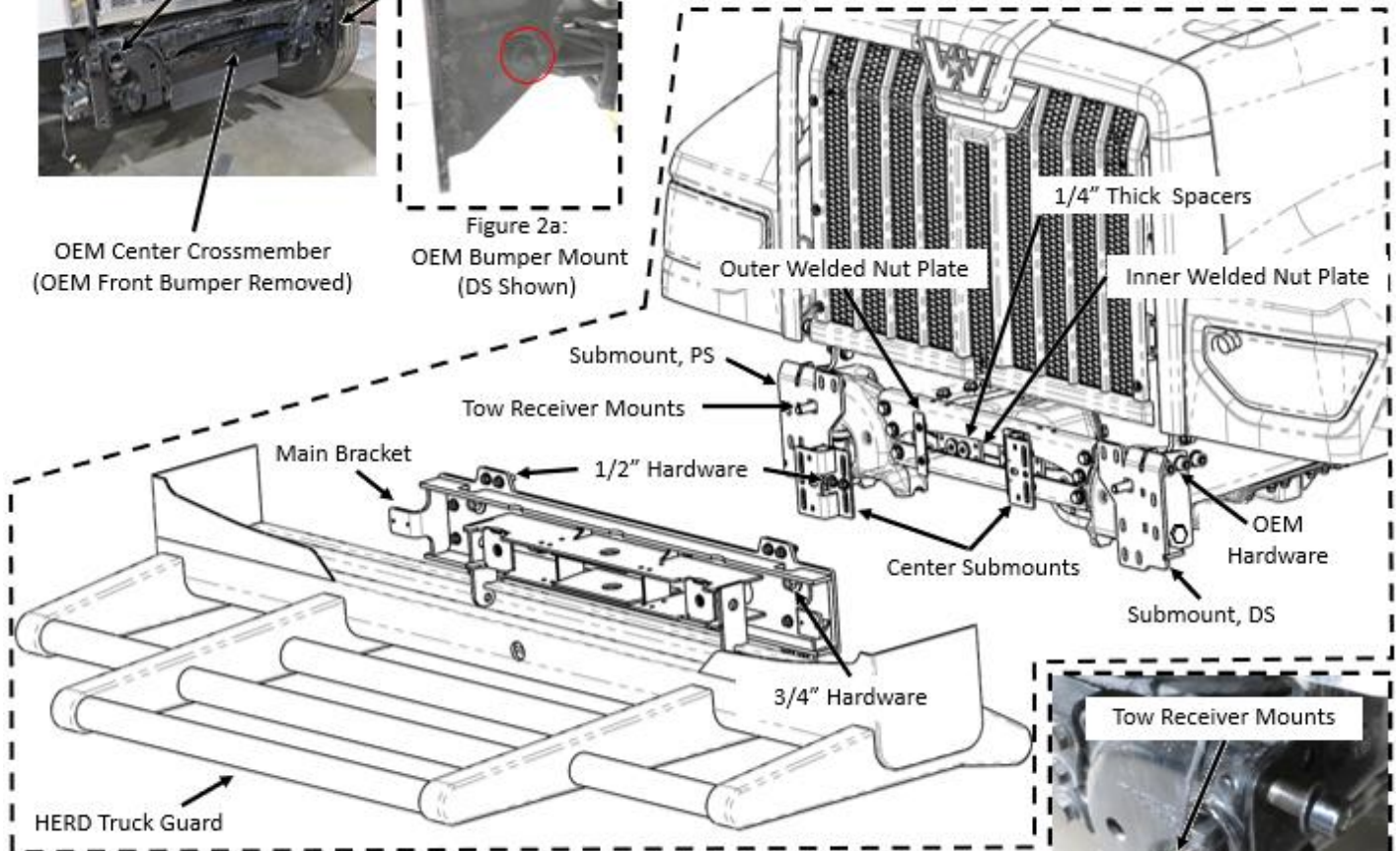


Figure 2d: HERD Truck Guard Assembly



Figure 2b:  
Tow Receiver Mounts  
(DS Shown)

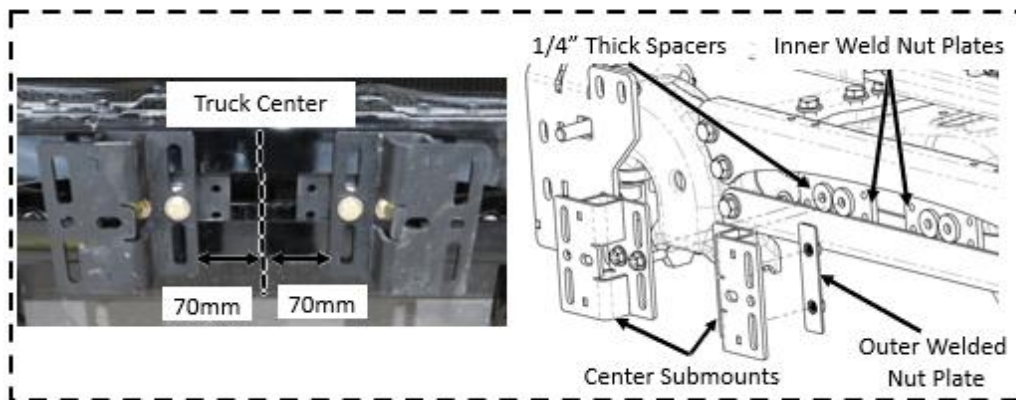


Figure 2e: HERD Center Submounts

Figure 2: Herd Submounts and Truck Guard Installation

## **II. Installing the HERD Submounts and Truck Guard**

1. Remove OEM Bumper Mounts as shown in Figure 2a.
2. Install the Herd Tow Receiver Mounts to the truck's Tow Receiver, see Figure 2b.
3. Install the HERD Submounts using the OEM hardware, see Figure 2d. Fully tighten the OEM Hardware. Do this one side at a time. Please use the specific Herd Bumper Submount for your Truck Model as shown in Figure 2c.
4. Repeat steps 1 to 3 on the other side of the truck.
5. Install Herd Inner Welded Nut Plates, 1/4" Thick Spacers and Center Submounts to the OEM Center Crossmember in the order and position shown in Figure 2e. Use the provided 1/2" hardware to fasten. **Torque the 1/2" hardware to 96 ft-lb.**
6. Lift the Main Bracket and Truck Guard Assembly and mount it to the truck. Fasten the Main Bracket using the provided Outer Welded Nut Plates, 1/2" and 3/4" hardware. **Torque the 1/2" hardware to 96 ft-lb, and the 3/4" hardware to 240 ft-lb.**



Figure 3a:  
OEM Lights and HERD Light Bracket  
on an SFA Truck (DS Shown)

Figure 3b:  
OEM Lights and HERD Light Bracket  
on an SBA Truck (DS Shown)

Figure 3: Herd Light Bracket Installation

### III. Installing the HERD Light Bracket

1. For a Set Forward Axle (SFA) Truck If equipped with OEM lights, use the OEM Lights hardware, provided HERD Light Bracket and 3/8" hardware to install the OEM lights to the Herd Truck Guard as shown in Figure 3a. **Torque the 3/8" hardware to 39 ft-lb.**
2. For a Set Back Axle (SBA) Truck If equipped with OEM lights, use the OEM Lights hardware, provided HERD Light Bracket, Herd Shroud, 3/8" and 1/4" hardware to install the OEM lights to the Herd Truck Guard, see Figure 3b. Fully tighten the 1/4" Hardware and **Torque the 3/8" hardware to 39 ft-lb.**

**Important: Check mounting points' hardware after the first 5000 km and every 3-6 months. Re-torque if necessary.**