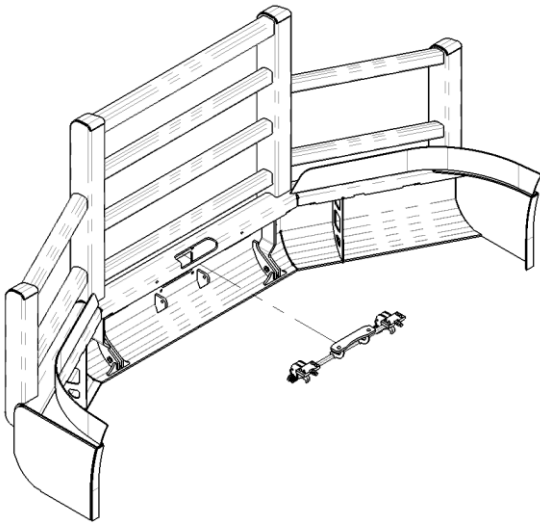


Product	Series
Slam Latch	C4
	

Thank you for choosing HERD!

For assistance call
1-888-543-4373
www.HERD.com

Important

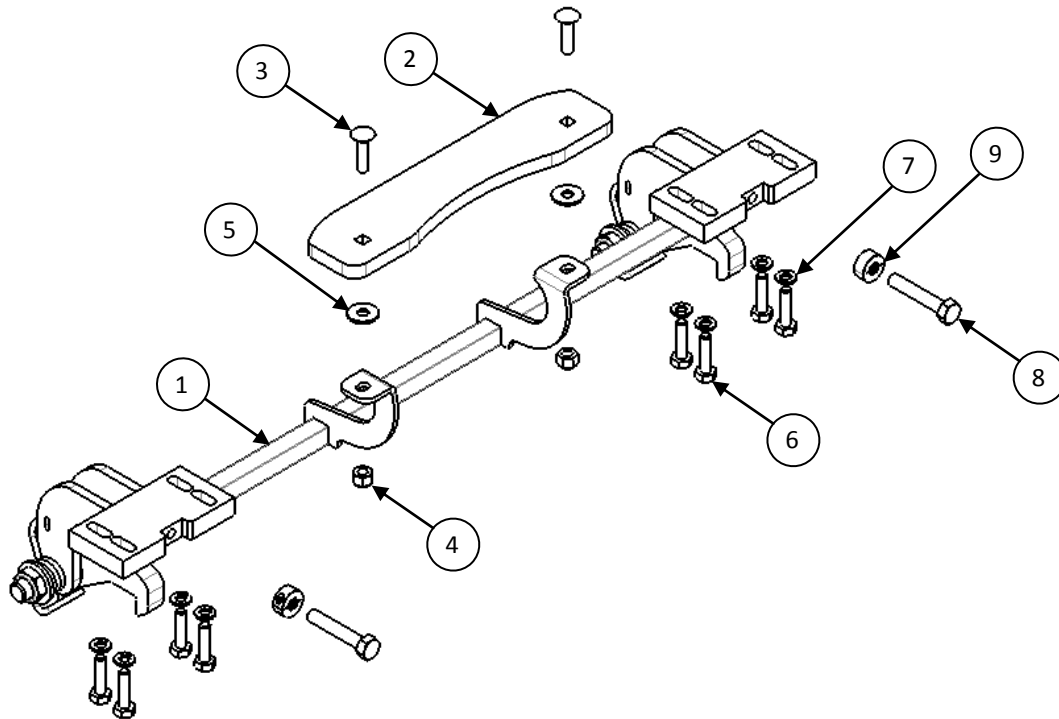
- Herd Bumpers are vehicle "Make & Model" specific. Use of a bumper on a vehicle other than the model it was designed for will constitute improper use of the product and may void warranty.
- Unless otherwise specified, Grade 8 or Class 10.9 hardware is to be used. For the purposes of these instructions, OE hardware means the truck's original factory hardware.
- For further detail of warranty coverage and warranty repair information visit www.HERD.com.

General Safety

- Take time to fully read the instructions before installing the Slam Latch mechanism.
- At all times exercise safe work shop practices, wear steel toe boots and safety glasses during installation.
- Parts and components of the Herd bumper can be heavy, handle with care to avoid injuries.
- Respect power tools and use them as advertized.

HERD North America Inc.
2168 Springfield Road
Box 28, Group 525, RR5
Winnipeg, MB. Canada R2C 2Z2

Parts and tools referenced in this instruction



Parts and hardware included

Item No	Part No	Description	Qty
1	1SLA002	Slam Latch assembly	1
2	2HND002	Slam Latch handle	1
3	RHSN 0.25-20x1 FT SS 18-8	1/4"-20 X 1" carriage bolt, fully threaded, stainless steel	2
4	NLN 0.25-20 GR.5	1/4"-20 nylon lock hex nut, grade 5	2
5	FW 0.25 GR.5	1/4" flat washer, grade 5	2
6	HB 0.25-20x1 FT GR.5	1/4"-20 X 1" hex bolt, fully threaded, grade 5	8
7	HSLW 0.25	1/4" split lock washer	8
8	HB 0.3125-18x1.75 FT GR.5	5/16"-18 X 1-3/4" hex bolt, fully threaded, grade 5	2
9	6438K160	5/16"-18 clamp on shaft collar	2

Tools Required

Tool	Specification
Ratchet	-
Torque wrench	-
Torque screwdriver	-
Socket	7/16" or 11 mm
Socket	1/2" or 13 mm
Wrench	7/16" or 11 mm
Wrench	1/2" or 13 mm
Hex drive	5/64" or 2 mm

Installation Procedure

Important

- Steps 1 through 5 document the installation procedure for the Herd Slam Latch. The Slam Latch requires periodic adjustment. For instructions on how to properly adjust your Slam Latch, proceed to step 6.

1. Attach Slam Latch (Item 1) to Herd bumper. Slam Latch must be fastened on both driver side and passenger side as shown. Ensure that the Slam Latch may still move forwards and backwards with relative ease after fastening.

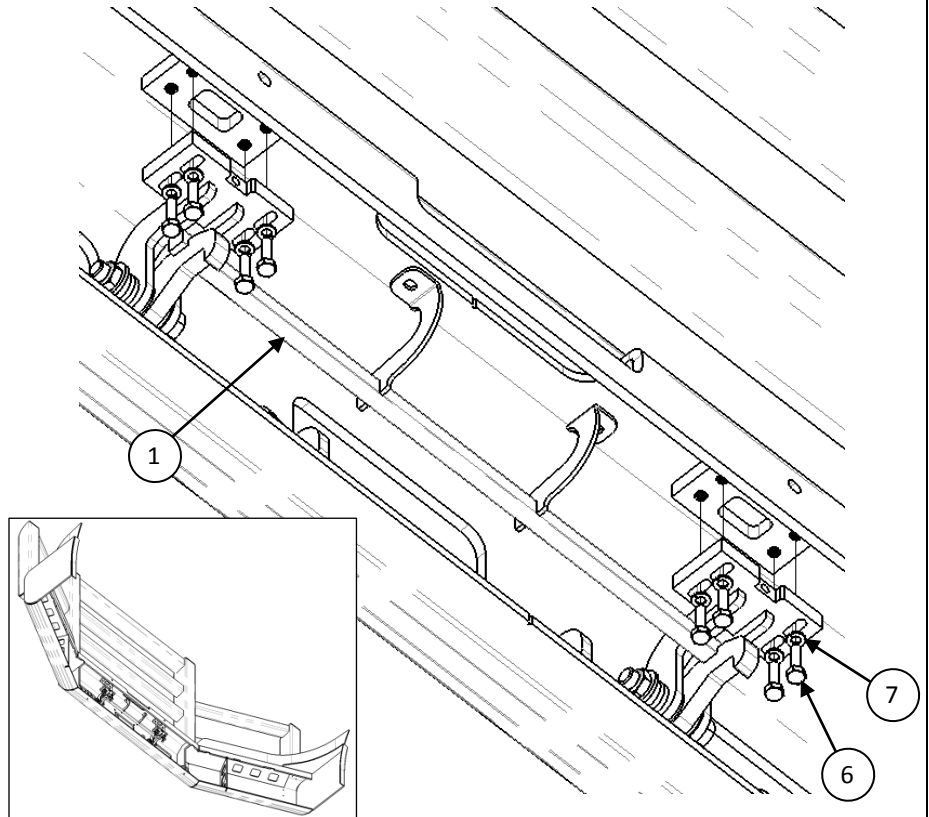


Figure 1 – Slam Latch installation.

2. Hand tighten bolts until washers may just barely spin freely. Do not fully tighten bolts until installation and adjustment is complete.

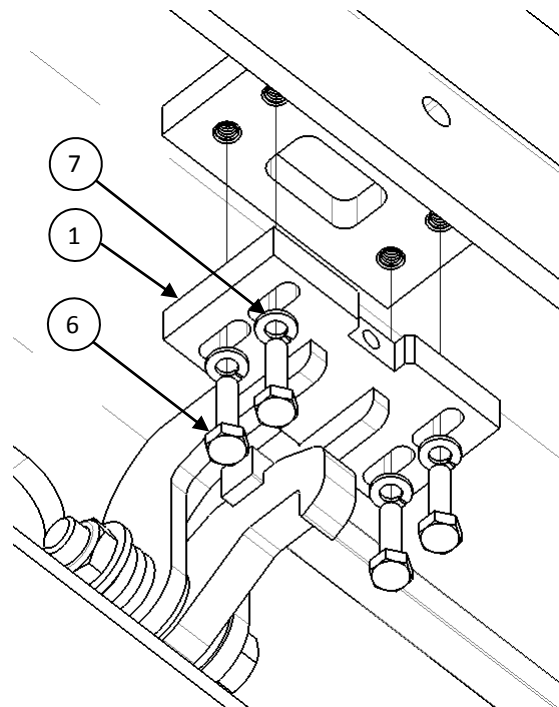


Figure 2 – Slam Latch installation close-up (driver side shown).

Installation Procedure

3. Install Slam Latch adjustment screws (Item 8) on both driver side and passenger side. Adjustment screws are used to adjust forward position of Slam Latch.

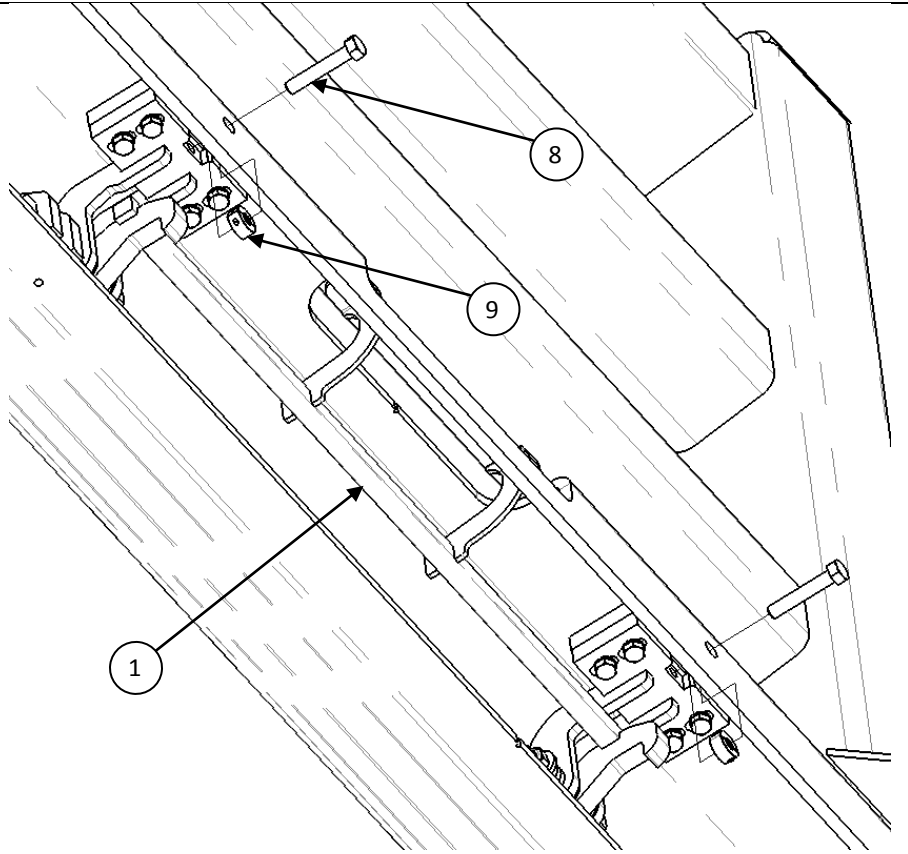


Figure 3 – Slam Latch adjustment screw installation.

4. Position the shaft collar (Item 9) inside the bumper between the flange of the bumper and the Slam Latch assembly (Item 1). Feed the adjustment screw (Item 8) through the hole in the bumper and thread the screw through the shaft collar and into the threaded hole. Tighten the clamping screw (Item A) on the shaft collar to 19 ft-lbs of torque. Ensure that the Slam Latch assembly is in the most rear-ward position.

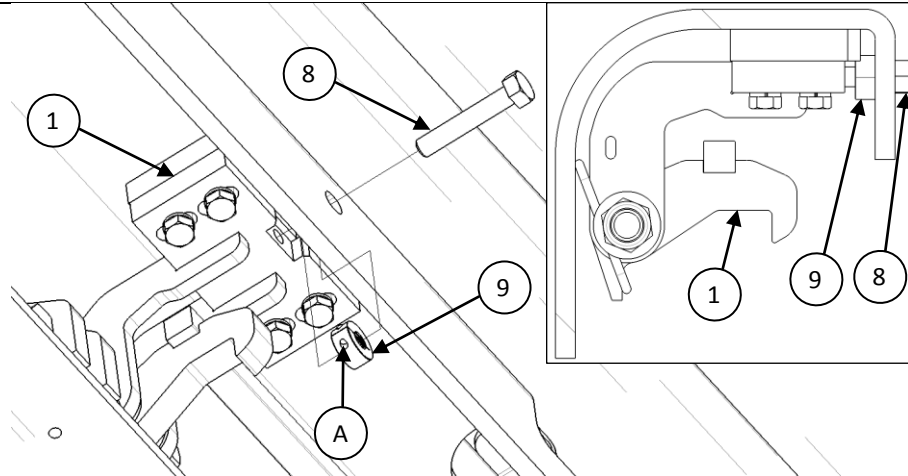


Figure 4 – Slam Latch adjustment screw installation close-up (driver side shown) with assembled side-view insert.

Installation Procedure

5. Install the Slam Latch handle (Item 2) to the Slam Latch assembly. Feed carriage bolts (Item 3) through handle and Slam Latch assembly as shown. Fasten on other side using supplied flat washer (Item 5) and nylon lock nut (Item 4).

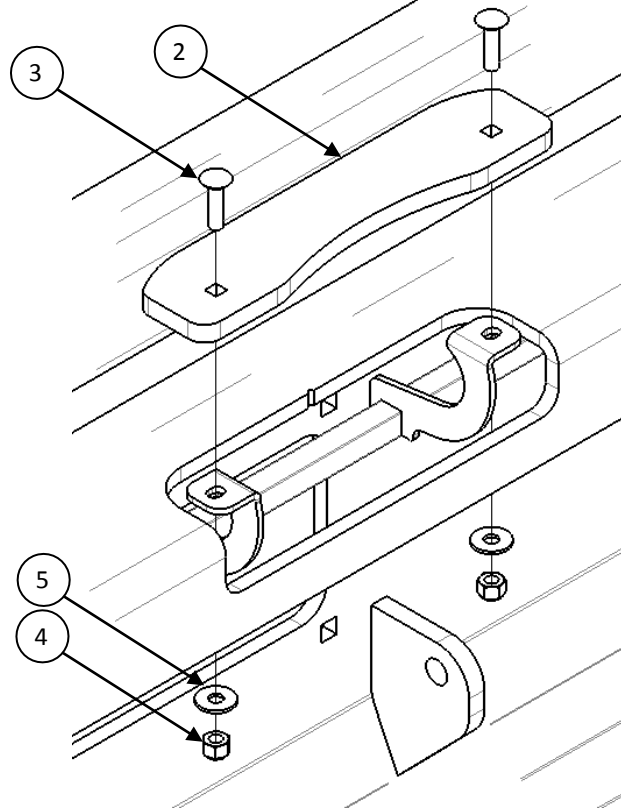


Figure 5 – Slam Latch handle installation.

Important

- The Herd Slam Latch requires adjustment. Proceed with the following steps for instructions on how to properly adjust your Slam Latch.

6. If the Herd bumper is already installed on a truck, open the bumper. Loosen the 8 bolts (Item 6) so that the washers (Item 7) may just spin freely.

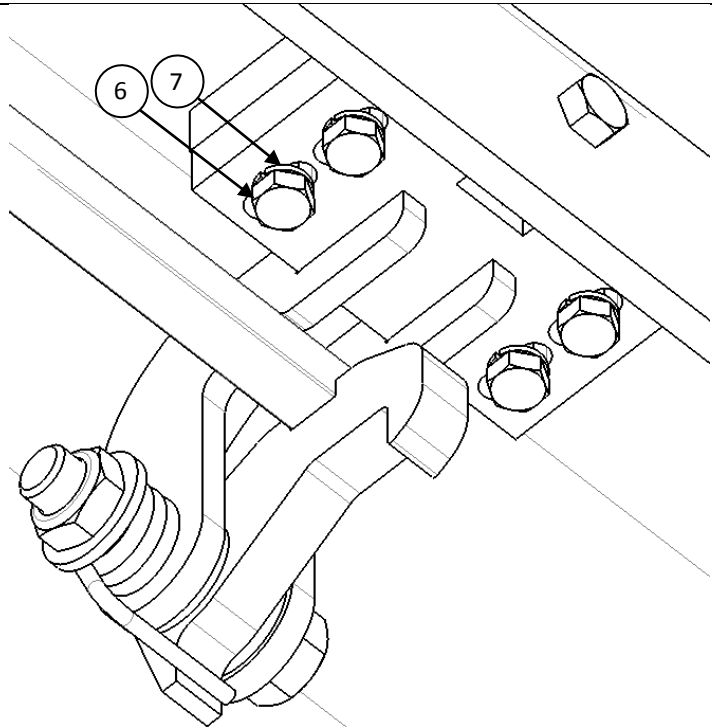


Figure 6 – Slam Latch adjustment (passenger side shown).

Installation Procedure

7. Close the bumper. Turn the adjustment screws (Item 8) counter-clockwise until the latch (Item B) on the Slam Latch assembly sits flush against the ramp (Item C) on the mounting bracket. If the handle is too hard to open, turn the adjustment screws clockwise. This will loosen the assembly. Adjust as necessary until bumper can open/close properly and all rattling disappears.

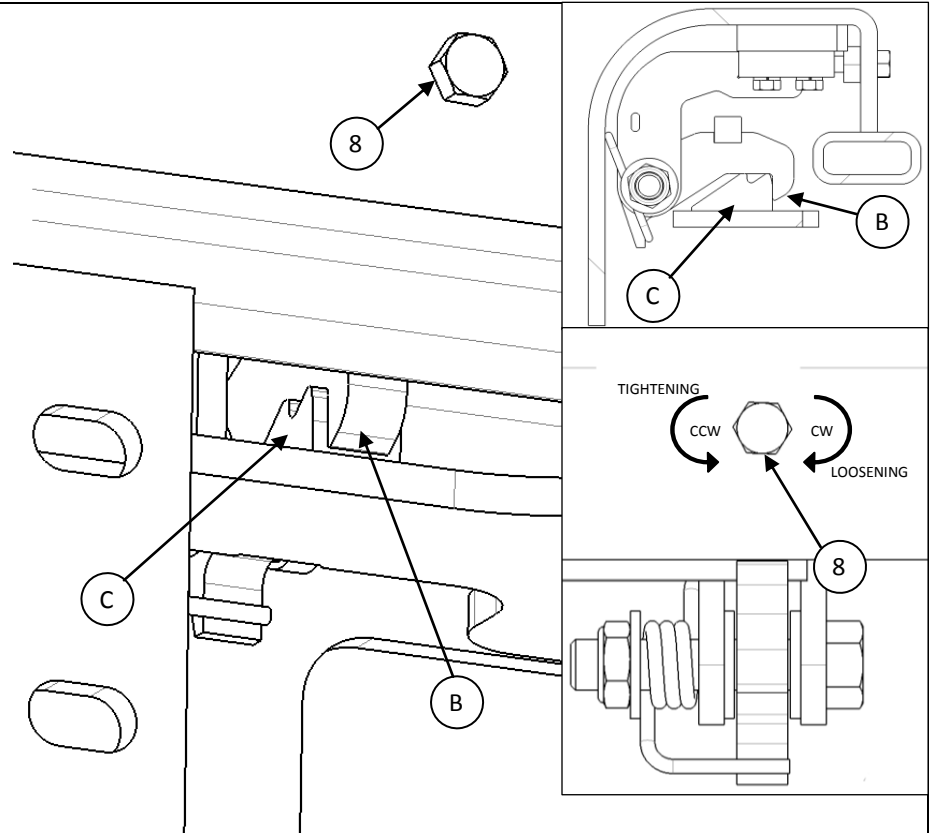


Figure 7 – Slam Latch adjustment (passenger side shown) with side profile insert and adjustment screw detail insert.

8. Open the bumper and tighten the 8 bolts (Item 6) from step 6 to 12 ft-lb of torque. Close the bumper. The adjustment is now complete.

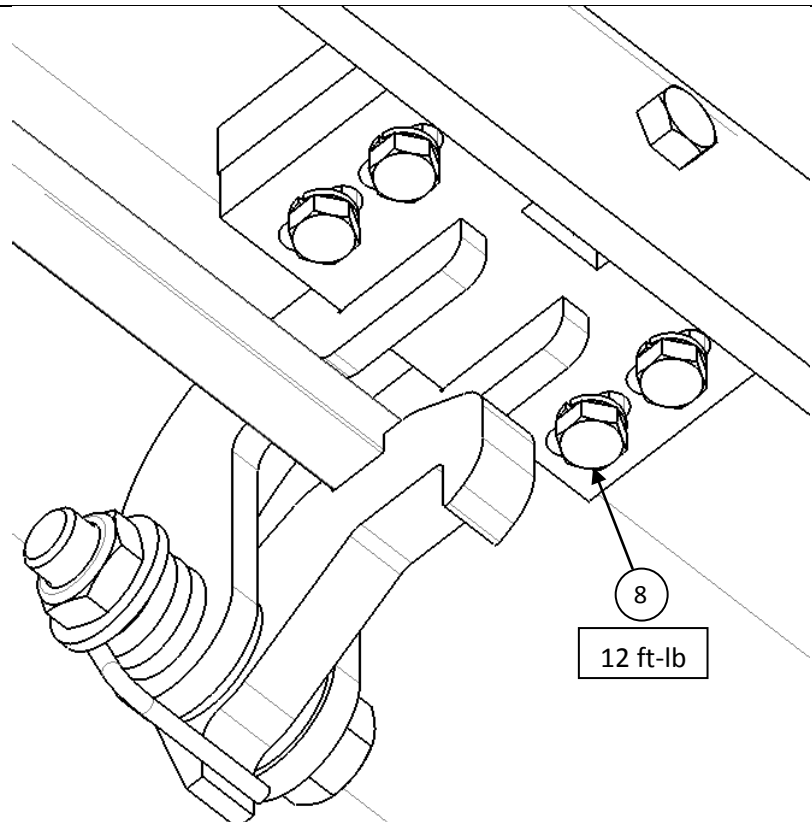


Figure 8 – Slam Latch mounting bolts (passenger side shown).