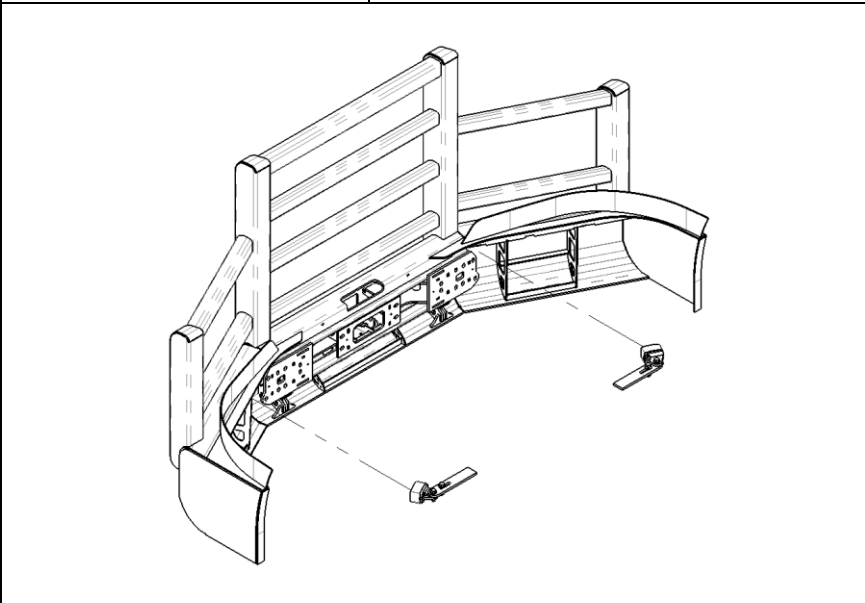


Product	Series
Impact Plate	C4
	

Thank you for choosing HERD!

For assistance call
1-888-543-4373
www.HERD.com

Important

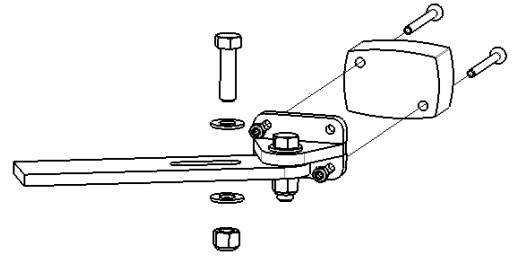
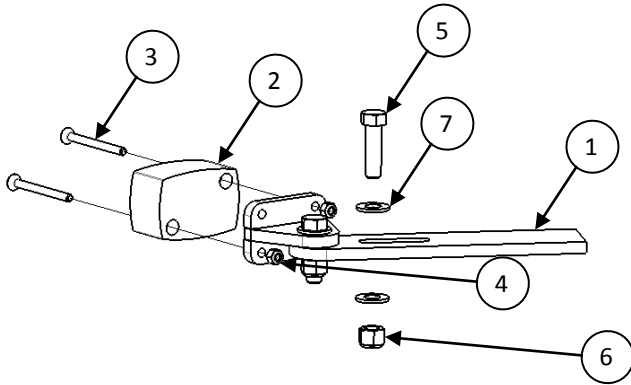
- Herd Bumpers are vehicle "Make & Model" specific. Use of a bumper on a vehicle other than the model it was designed for will constitute improper use of the product and may void warranty.
- Unless otherwise specified, Grade 8 or Class 10.9 hardware is to be used. For the purposes of these instructions, OE hardware means the truck's original factory hardware.
- For further detail of warranty coverage and warranty repair information visit www.HERD.com.

General Safety

- Take time to fully read the instructions before installing the Impact Plate mechanism.
- At all times exercise safe work shop practices, wear steel toe boots and safety glasses during installation.
- Parts and components of the Herd bumper can be heavy, handle with care to avoid injuries.
- Respect power tools and use them as advertized.

HERD North America Inc.
2168 Springfield Road
Box 28, Group 525, RR5
Winnipeg, MB. Canada R2C 2Z2

Parts and tools referenced in this instruction



Parts and hardware included

Item No	Part No	Description	Qty
1	1IPA001	Adjustable Impact Plate assembly	2
2	4RMB002	Rumber plate	2
3	CHCS 0.25-20x3 FT SC GR.3	1/4\"-20 X 3\" Robertson countersunk head cap screw, fully threaded	4
4	NLN 0.25-20 GR.5	1/4\"-20 nylon lock hex nut, grade 5	4
5	HB 0.5-13x1.75 FT GR8	1/2\"-13 X 1-3/4\" hex bolt, fully threaded, grade 8	2
6	NLN 0.5-13 GR8	1/2\"-13 nylon lock hex nut, grade 8	2
7	FLATWASHER 0.5	1/2\" flat washer, grade 8	4

Tools Required

Tool	Specification
Ratchet	-
Torque wrench	-
Socket	3/4\" or 19 mm
Socket	7/16\" or 11 mm
Wrench	3/4\" or 19 mm
Wrench	7/16\" or 11 mm
Robertson drive	Black (#3)

Installation Procedure

1. Fasten rubber plate (Item 2) onto adjustable Impact Plate assembly (Item 1) as shown. See bill of materials figure for orientation of rubber plates for driver and passenger sides.

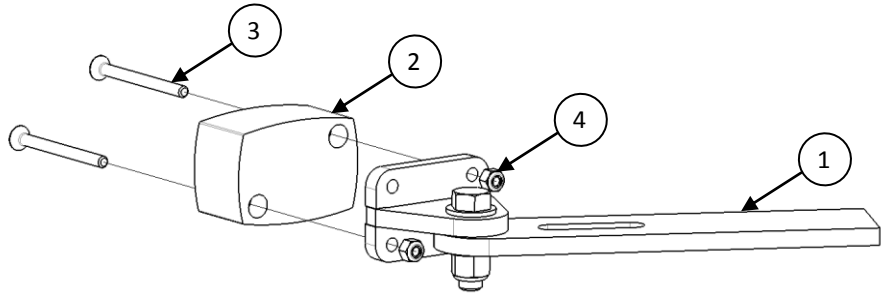


Figure 1 – Rubber plate installation (driver side shown).

2. Insert Impact Plate assembly into slot of universal bracket. Slot is located behind bracket backing plates (cut-away shown).

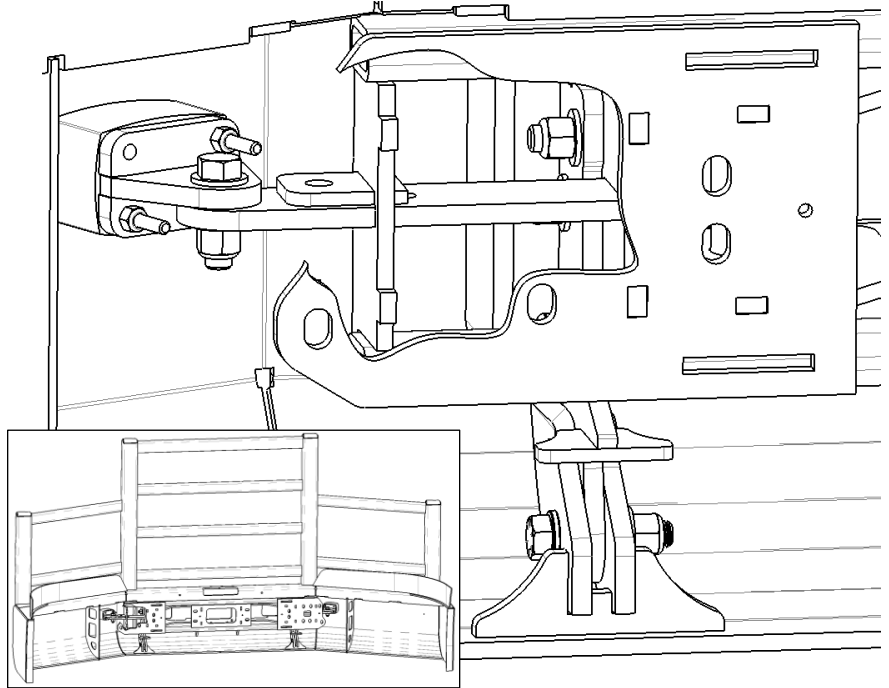


Figure 2 – Impact Plate assembly installation (driver side shown) with broken out section in bracket backing plate.

3. With bumper closed, insert needle nose vice grips through square hole of bracket backing plate. Clamp Impact Plate assembly with vice grips so that rubber plate sits flush against wall of bumper channel and does not move. Bolt may need to be loosened in order to adjust angle of rubber plate. Torque bolt to 110 ft-lb after adjustment if required.

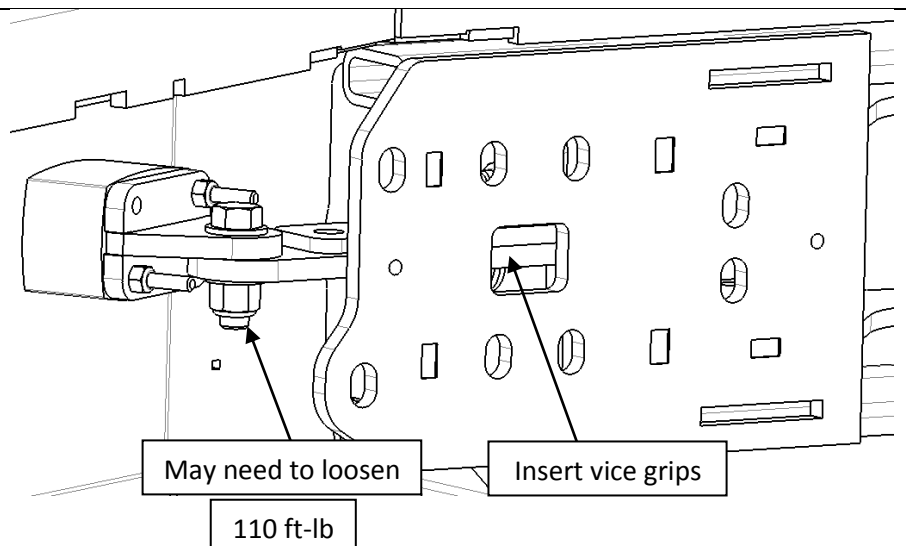


Figure 3 – Impact Plate adjustment (driver side shown).

Installation Procedure

- Attach Impact Plate assembly to universal mounting bracket. Ensure that the rubber plate is flush and sits tight against the bumper before final tightening. Torque to 110 ft-lb.

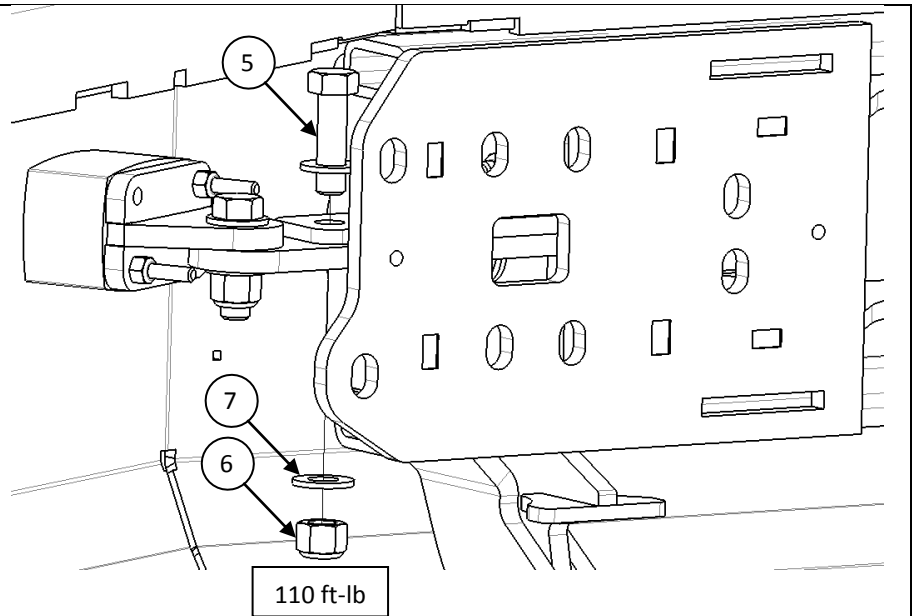


Figure 4 – Fastening of Impact Plate assembly (driver side shown).

- Installation is complete. Repeat steps 1 through 4 for passenger side. Once complete, verify that bumper can open and close without interference and no gaps exist between rubber plates and bumper.

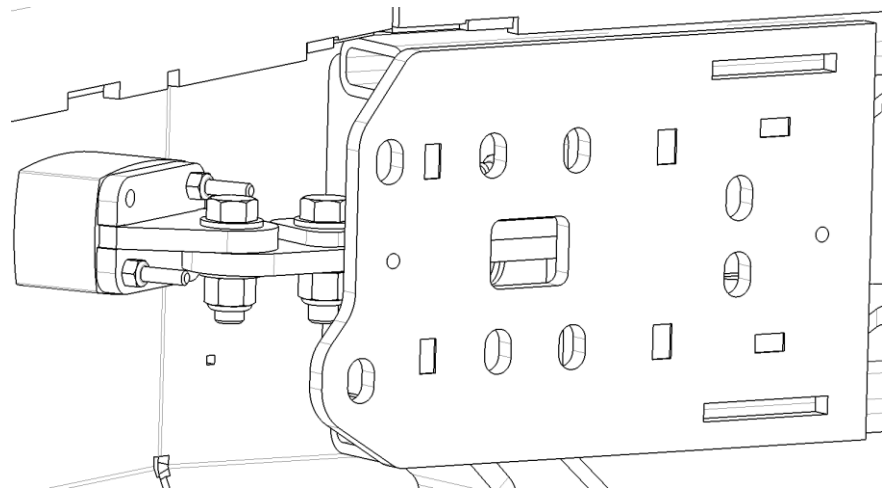


Figure 5 – Final Impact Plate assembly view (driver side shown).