

# HERD S019 – Grille Guard Hinge and Latch Kit Replacement

- This document shows how to install your new Latches and Hinges onto your existing Grille Guard. Follow your Grille Guard Installation Procedure for how to install your Submounts.
- Ensure that you have completely read and understand document S017 - Safety before beginning this installation procedure.

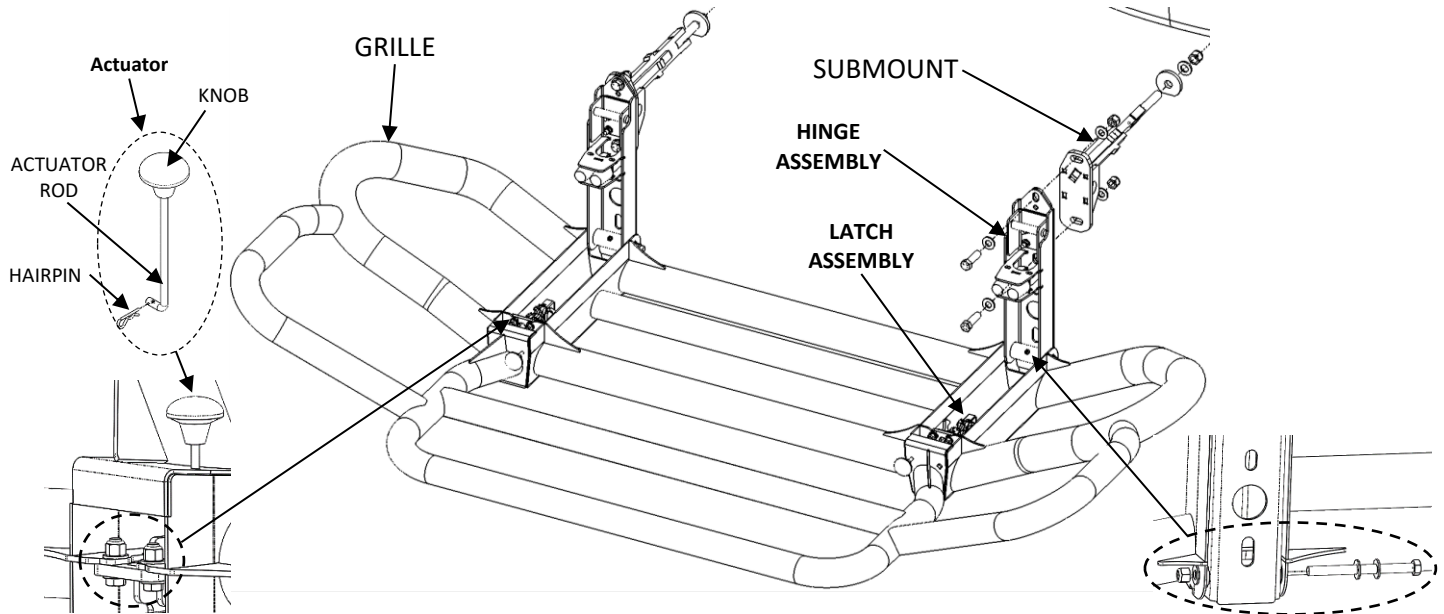


Figure 1b: Latch Replacement

Figure 1a: Hinge Replacement

Figure 1: Grille Guard installation  
(Your Grille Guard may not be exactly as shown)

## Removing Latches and Hinges:

1. Open Grille and remove hardware which connects Hinges to Submounts as shown in Figure 1
2. Lay Grille flat on ground in front of truck on a pallet or protective sheet
3. Remove Hinges from Grille by removing hardware as shown in Figure 1a
4. Remove Latches from Grille by **removing Hairpin from Actuator Rod first then hardware** as shown in Figure 1b

## Installing new Hinges:

1. Please note that in order to install new hinge, some modifications may be required on the grille. Please review **Appendix A** prior installing **hinge assembly**.
2. After reviewing Appendix A, insert new Hinges into Grille using hardware as shown in Figure 1a.

**Important:**

Follow the instruction based on the type of replacement latch you have (see Figure 2).

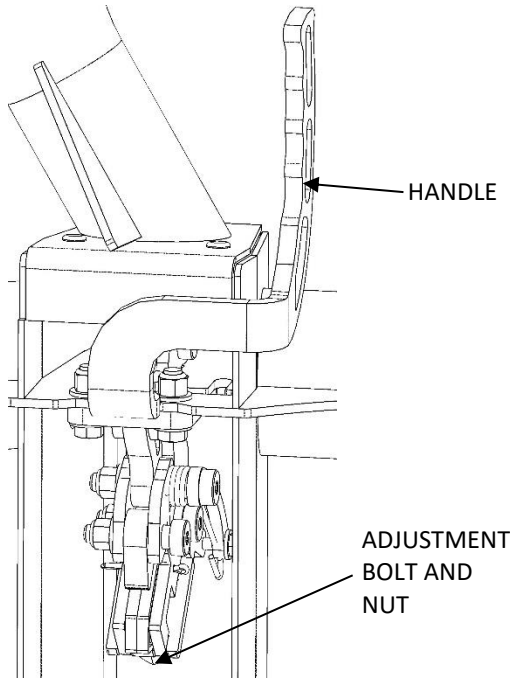


Figure 2a: GRIP LATCH

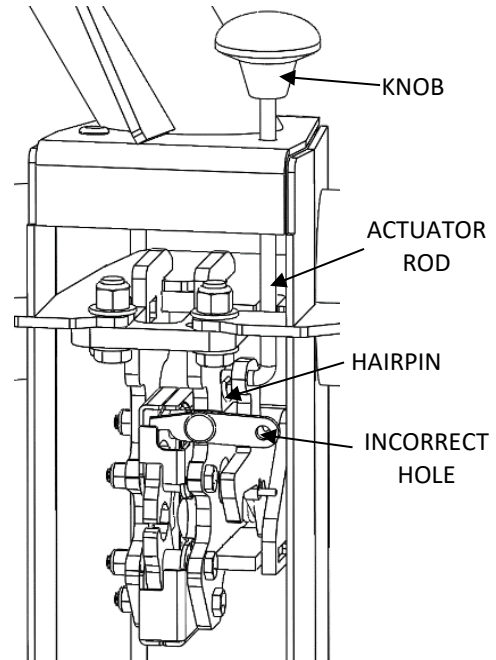


Figure 2b: SLAM LATCH

Figure 2: Latch type

**Installing new Grip Latches:**

1. Insert Grip Latch into Grille as shown in Figure 2a.
2. Proceed to **“Follow up Install Guides”**.

**Installing new Slam Latches:**

1. Please note that in order to install new slam latch assemblies, some modifications may be required on the grille. Please review **Appendix B** prior installing Slam latch assembly.
2. After reviewing Appendix B, insert Slam Latch into Grille as shown in Figure 2b.
3. Insert Actuator into Grille and then into Slam Latch and lock the position with Hairpin as shown in Figure 2b. **DO NOT insert Actuator in the incorrect hole indicated in Figure 2b.**
4. Proceed to **“Follow up Install Guides”**.

**Follow up Install Guides:**

Please proceed to the **Installation Procedure for your particular Grille Guard and S018 - GRILLE GUARD LATCH ADJUSTMENT PROCEDURE.**

## Appendix A:

A1. Measure the thickness of Grille Box as shown in Figure A1.

- If thickness is 1/8" then no modification required and return to step 2 of "Installing new Hinges".
- If thickness is 3/16" then modification in step A2 required to allow Hinge to fit into Grille Box.

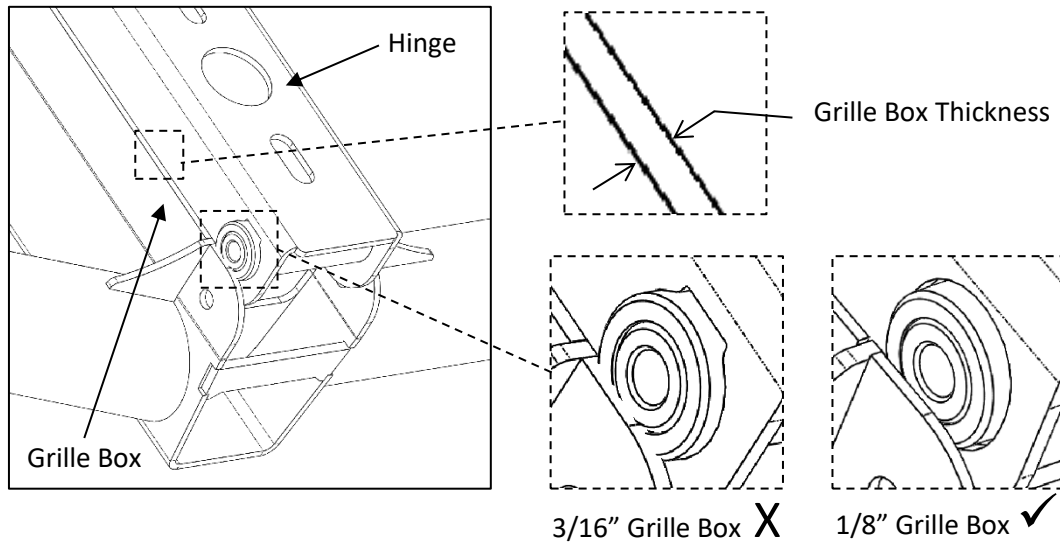


Figure A1: Hinge fitment into Grille (Your Hinge and Grille may not be exactly as shown)

A2. Grind Pivot and Tube 1.5mm on each side as shown in Figure A2. **Pay attention to final length and DO NOT over grind** (Tube from old Hinge can be reused instead of grinding the new one if it is not worn out).

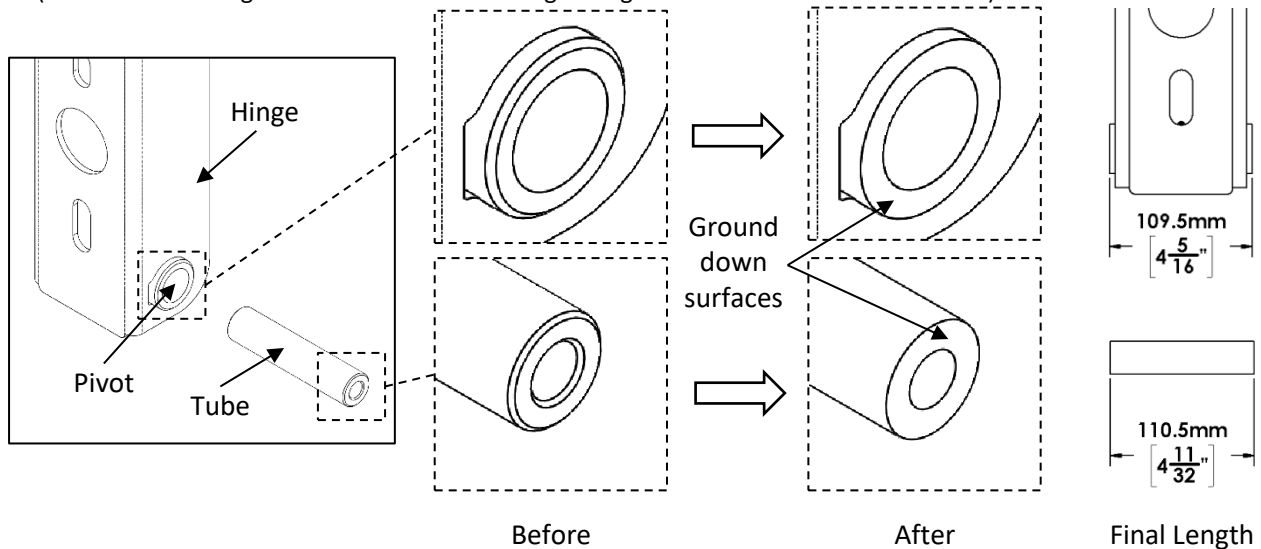


Figure A2: Modifying Hinge (Your Hinge may not be exactly as shown)

A3. Return to step 2 of "Installing new Hinges".

## Appendix B:

B1. Check the shape of Top Gusset cut-out on your Grille as shown in Figure B1.

- If the shape of cut-out matches with **T shape** cut-out shown in Figure B1 then no modification required and return to step 2 of “Installing new Slam Latches”.
- If the shape of cut-out **DOES NOT** match with T shape cut-out shown in Figure B1, or if there exists no cut-out, then proceed to step B2 (**sample shapes on incompatible cut-outs are provided in Figure B2**).

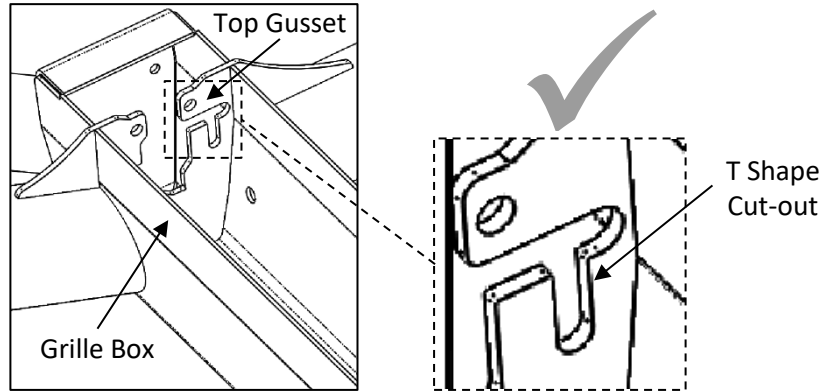


Figure B1: Shape of **Correct/T Shape** Top Gusset cut-out of Grille

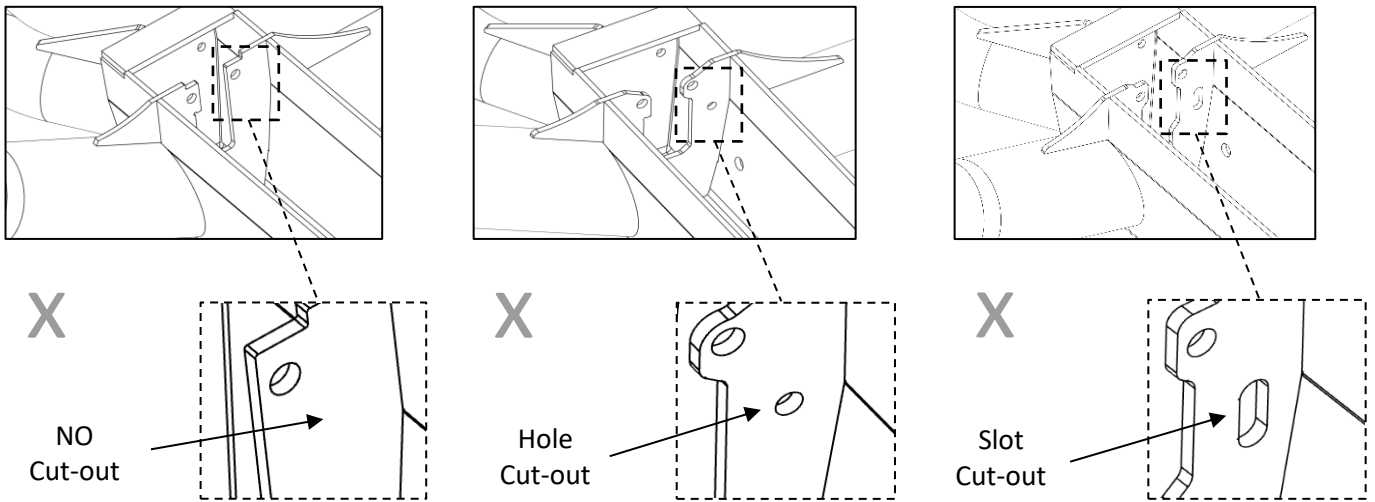


Figure B2: Sample Shapes of **Incompatible** Top Gusset cut-out of Grille

B2. Using the provided Template, modify the Top Gusset of the driver and passenger side as shown in Figure B3 (**Pay attention to the direction of Template on driver and passenger side**). To perform the modification, follow the steps below (Please note that Slot in Template has been slightly oversized to compensate for the size of the Marker tip):

- Mount the template underneath the Top Gusset using the bolts provided for mounting latching mechanism (see Figure 1c and FigureB3-Step 1).
- After having the template securely mounted underneath the Gusset, mark the slot (see Figure B3-Step 2).
- Remove the template and start cutting the marked part on the Gusset (see Figure B3-Step 3).
- The cutting procedure is schematically shown in Figure B3 below.

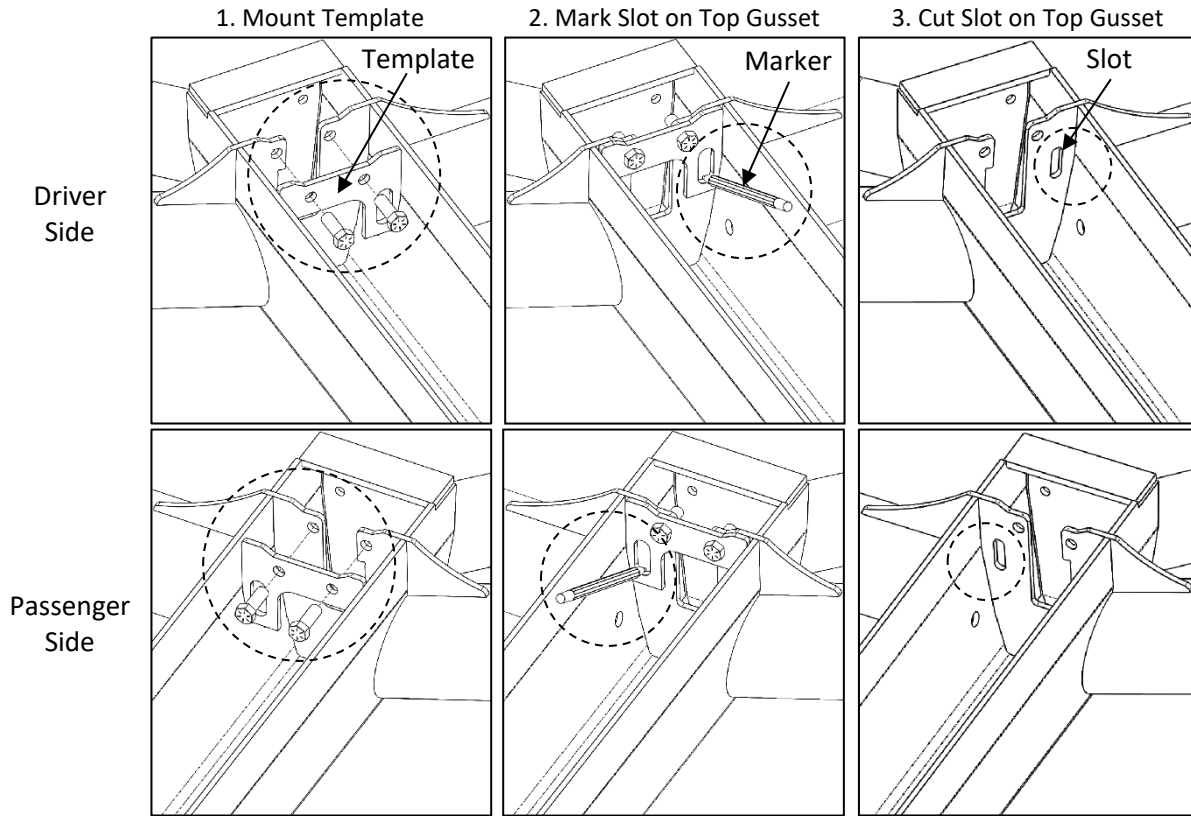


Figure B3: Modifying Top Gusset of Grille (Your Grille may not be exactly as shown)

B3. Return to step 2 of “Installing new Slam Latches”.