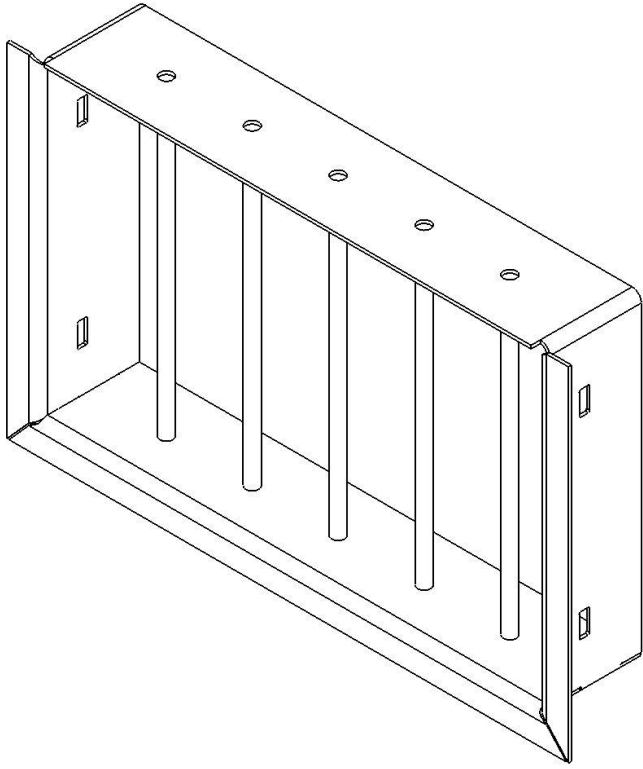


Thank you for choosing HERD!

For assistance call
1-888-543-4373
www.HERD.com

SKU #	Truck Model
CG100- JAILHOUSE	CG100 Series
	

Important

- HERD cab guards are designed to fit most vehicle make & models. Installation of a cab guard on a vehicle other than the model it was designed for will constitute improper use of the product and may void warranty.
- Unless otherwise specified, Grade 8 or Class 10.9 hardware is to be used.
- For further detail of warranty coverage and warranty repair information visit www.HERD.com.

General Safety

- Take time to fully read the instructions before installing the HERD cab guard.
- At all times exercise safe workshop practices, wear appropriate personal protective equipment.
- Parts and components of the HERD cab guard can be heavy, handle with care to avoid injuries.
- Respect power tools and use them as advertised.

Figure 1 – Hardware Mounting Kit

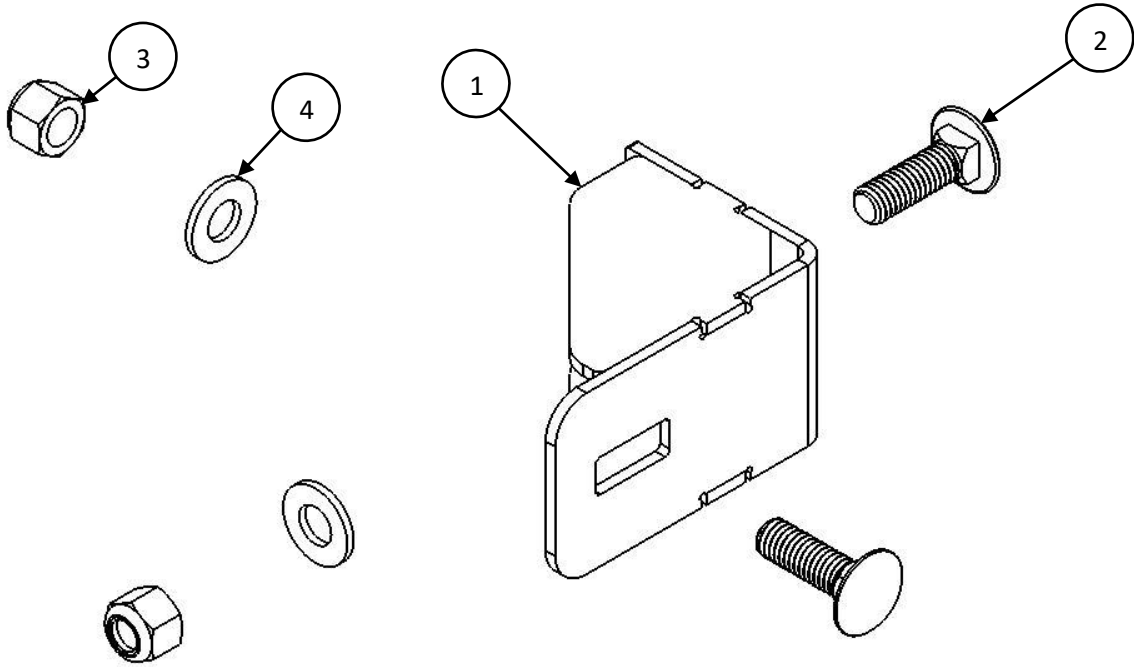


Table 1 – Mounting Kit

Item No	Part No	Description	Qty
1	206001	CG100 OPTIONS MOUNT BRACKET	4
2	500363	BOLT-CARRIAGE 3/8-16	4
3	500212	WASHER FLAT 3/8 SAE	4
4	500171	NUT NYLOCK 3/8-16NC	4

Installation Procedure

1. Install mounting brackets (206001) in the pre-cut holes in your chain hanger, using hardware mentioned in Table 1.

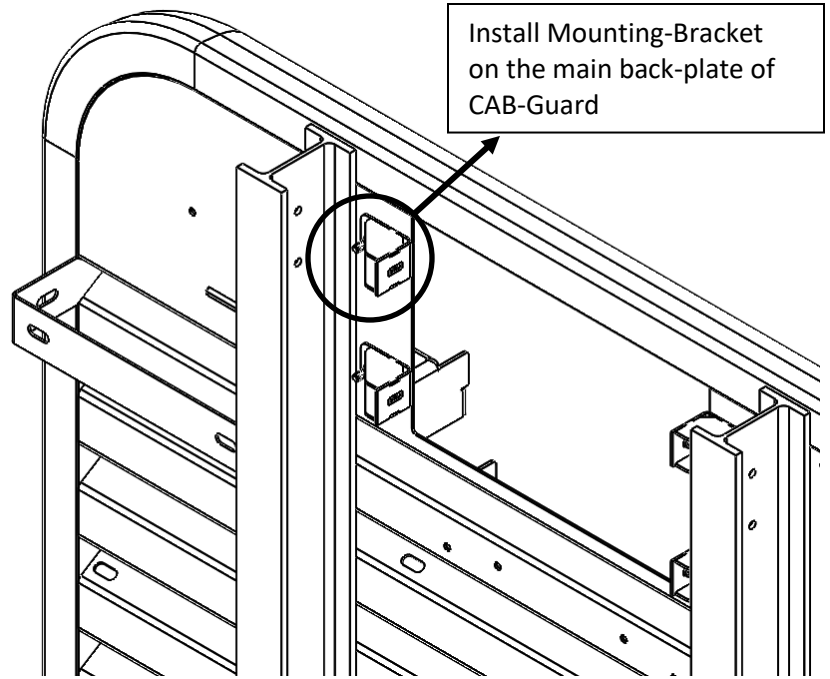


Figure 2

2. Install Jailhouse in the chain hanger window, bolting the jailhouse to the mounting brackets, using the remaining hardware mentioned in Table 1.
3. Torque bolts to 33 ft-lbs.

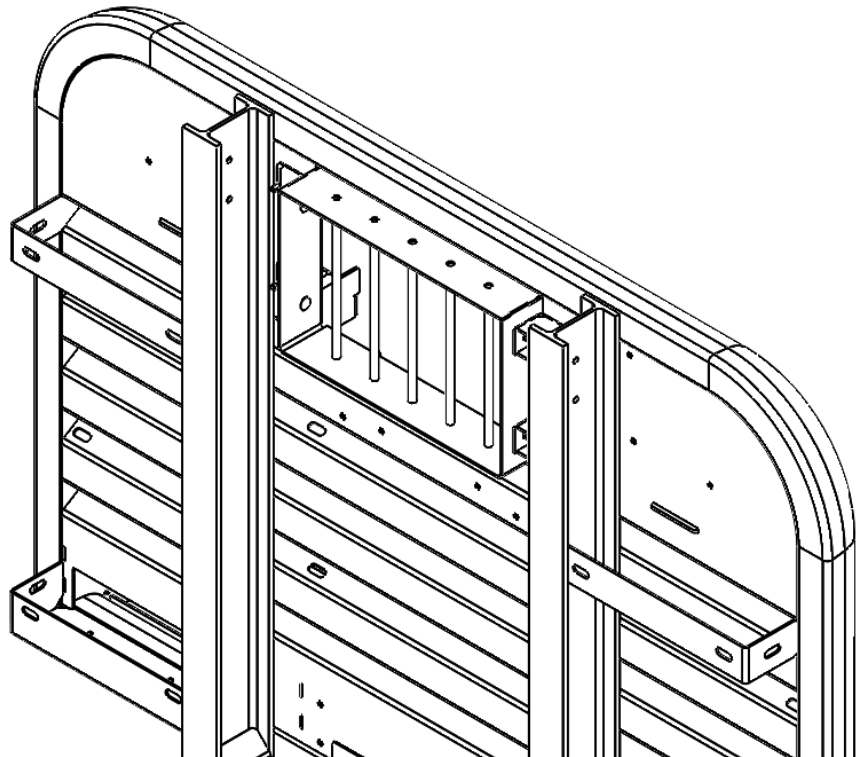


Figure 3

Important

- Check mounting points after the first 5000 km and every 3-6 months. Re-torque if necessary.
- Over-torquing the bolts may lead to damaging the back-plate of your CAB-Guard.