



INSTALLATION INSTRUCTIONS

KENWORTH

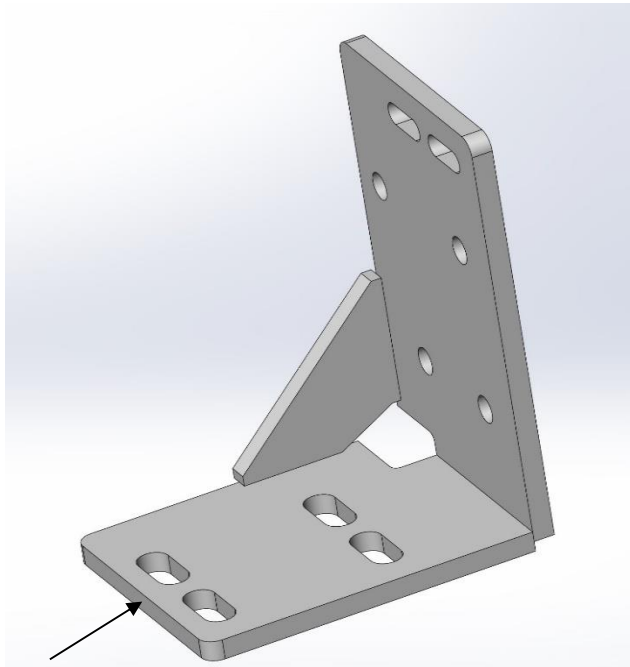
Item #	Vehicle Description
KW04	Kenworth T600 SBA (1988-2008)

IMPORTANT

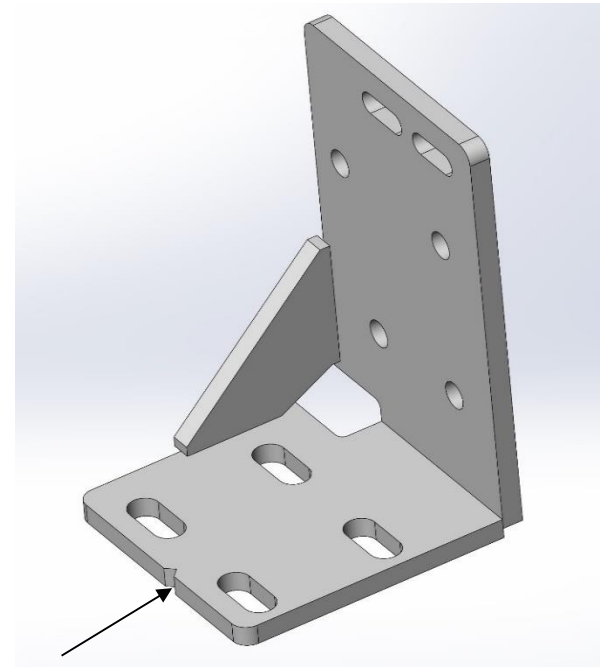
- A** Herd Bullbars are vehicle "Make & Model" specific. Use of a bullbar on a vehicle other than the model it was designed for will constitute improper use of the product and may void warranty.
- B** Unless otherwise specified, Grade 8 hardware is to be used. For the purposes of these instructions, OE hardware means the truck's original factory hardware.
- C** The drop-forged eyebolts are an integral part of the strength of Herd bullbars. When tightened firmly, they will minimize vibration and provide superior impact resistance.
- D** To help maintain the factory finish, avoid acid wash.

Step

- 1 *Remove factory bumper*
- 2 *Select appropriate submount set based on the pictures below. The set of submounts not used on your truck can be discarded*



Model Years 1988 to 2004



Model Years 2005 to 2008

* The above submount images are of the drivers side

- 3** *Install Herd submount to lower mounts using OE hardware*
 - 4** *Use 4 included loose spacers to space bracket from top mounting holes and attach using supplied hardware*
 - 5** *Verify that all mounting locations are used*
 - 6** *Install Herd bracket to submounts using the provided hardware.*
 - 7** *Attach bullbar to bracket using Herd supplied hinge bolts*
- * For DFLT & Defender models only: To install the hinge bolts, the bumper must be in the open (down) position to allow the bottom lip to go under and around the steel hinge.
- 8** *Check to ensure bar is level relative to a significant feature of the truck, and readjust if necessary*
 - 9** *Wire driving lights to existing wiring (if applicable)*
 - 10** *Insert towpin and tighten eyebolts (75-100 ft-lbs)*
 - 11** *Re-check the mounting bracket and bolts after the first 5,000km and every 3-6 months.*

Eyebolts are secured in the channel with a 7/8" rubber washer. If you need to re-install the washer, insert the eyebolt into the hole, and thread a washer onto the back side of the eyebolt, approximately halfway onto the threaded part of the eyebolt.