

HERD MK15G2/G3 Installation Procedure

- This document shows how to install your new Grille Guard onto your truck.
- Ensure that you have completely read and understand document **S017 - Safety** before beginning this installation procedure.

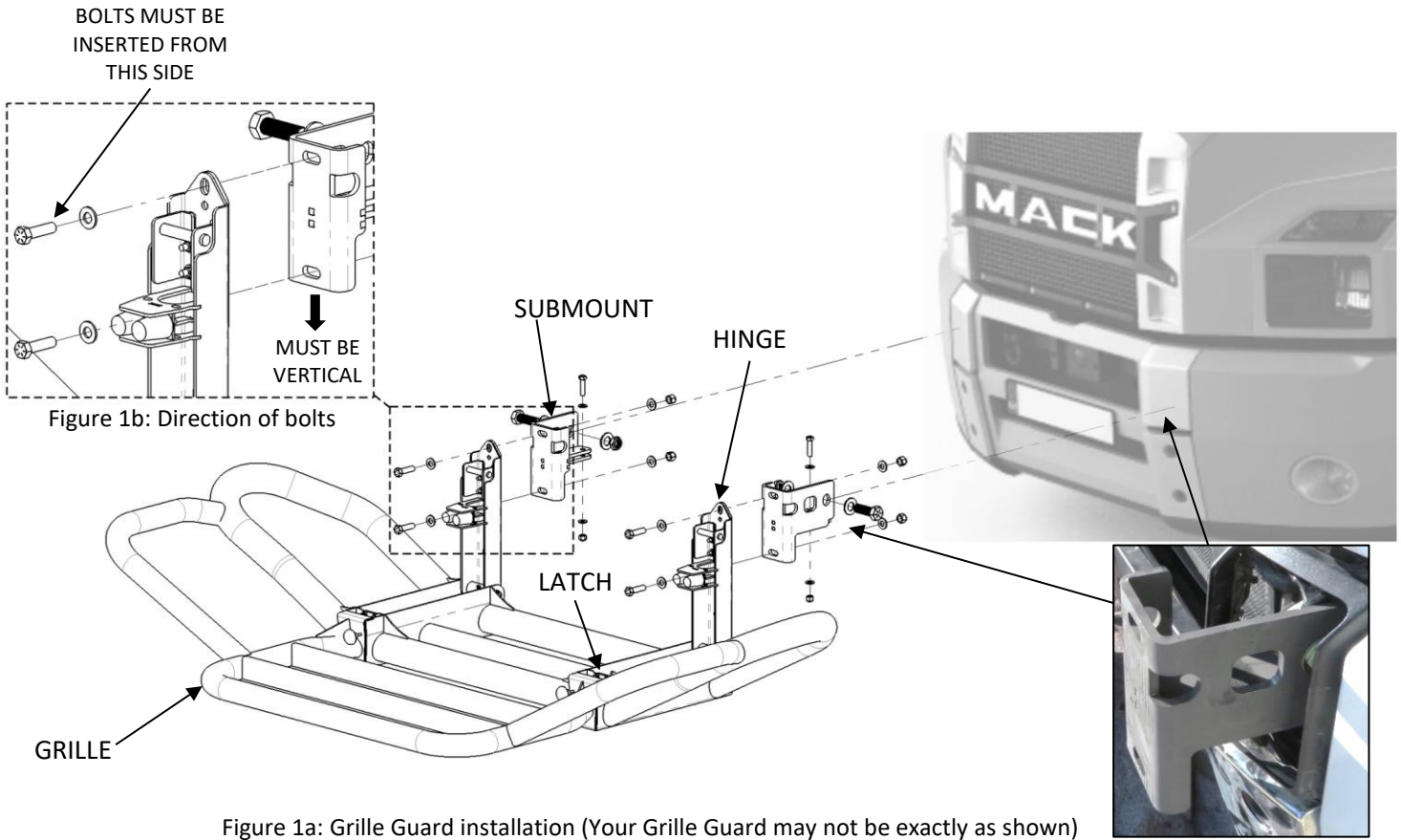


Figure 2a: Remove two front nuts

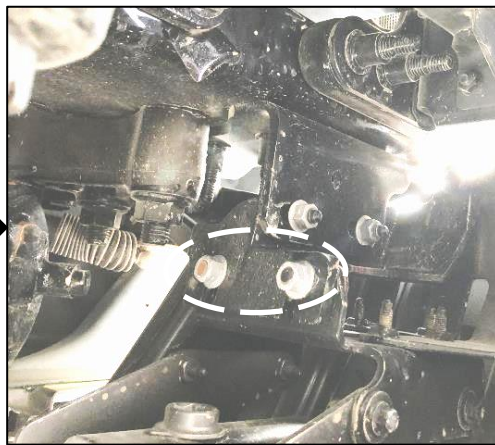


Figure 2b: Remove two nuts on back



Figure 2c: Before removing tow shackles

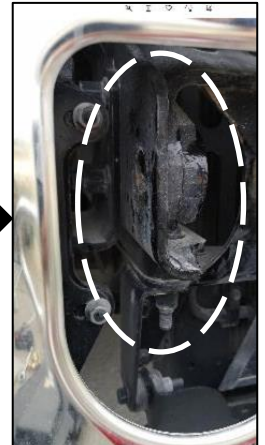


Figure 2d: After removing tow shackles

HERD MK15G2/G3 Installation Procedure

1. **(Start from Step 2 if your truck is equipped with the steel bumper)** If truck is equipped with plastic bumper, the bumper needs to be loosened in order to remove clevis pins from tow shackles. Repeat the below steps on both sides:

- Remove nuts as indicated in Figure 2a above.
- Remove nuts from back of bumper as indicated in Figure 2b above.

After installation of Grille guard, tighten plastic bumper by performing above steps in reverse.

2. **Remove** clevis pin from tow shackles and then remove tow shackle as shown in Figure 2c above.

3. Install Submounts on truck **(as shown in Figure 1c)** using hardware and details as shown in Figure 3.

4. Lay Grille flat on ground in front of truck on a pallet or protective sheet.

5. Open driver side Hinge and lift to driver side Submount. Hand tighten upper hardware shown in Figure 1a **(do not fully tighten)**. Repeat for passenger side. **Ensure bolts are inserted from front (Hinge side) as shown in Figure 1b.**

6. Assemble lower hardware on both sides. Hand tighten hardware **(do not fully tighten)**. After all four fasteners have been assembled, **torque to 110 ft-lb**, starting with upper hardware.

7. Please proceed to document **S018 – Grille Guard Latch Adjustment Procedure** for Latch adjustment.

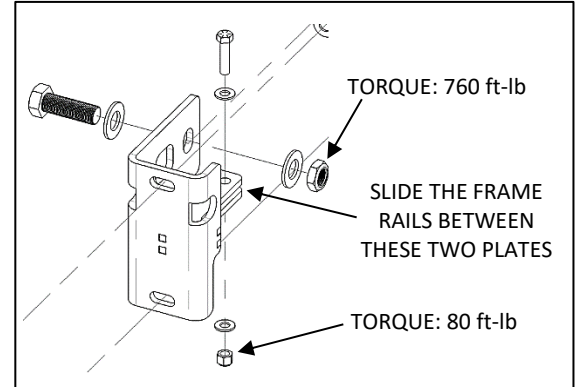


Figure 3: Details to install Submount

Important: Check mounting point's hardware after the first 5000 km and every 3-6 months. Re-torque if necessary.