



# INSTALLATION INSTRUCTIONS

## PETERBILT

Item #	Vehicle Description
PB03	Peterbilt 378/357 SBA -1998

### **IMPORTANT**

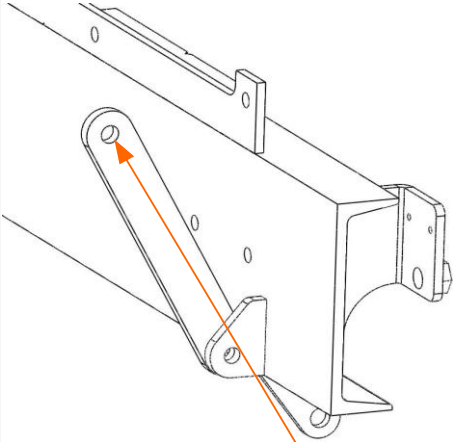
- A** Herd Bullbars are vehicle "Make & Model" specific. Use of a bullbar on a vehicle other than the model it was designed for will constitute improper use of the product and may void warranty.
- B** Unless otherwise specified, Grade 8 hardware is to be used. For the purposes of these instructions, OE hardware means the truck's original factory hardware.
- C** The drop-forged eyebolts are an integral part of the strength of Herd bullbars. When tightened firmly, they will minimize vibration and provide superior impact resistance.
- D** To help maintain the factory finish, avoid acid wash.

### Step

- 1 *Remove factory bumper*
- 2 *Install Herd steel bracket to truck using OE hardware*
- 3 *If the vehicle is equipped with factory center tow pin, use all 4 centre bolts. The top 2 holes may need to be drilled out to 7/8" to accommodate the larger bolts*
- 4 *If the vehicle is not equipped with the factory center tow pin, you must use either Peterbilt part # 01-47274 or Herd part # 1-MP-PB-HDTOW to capture bottom 2 center holes. (See supplemental instructions)*  
*Failure to do so will dramatically compromise towing capability, and may void warranty*
- 5 *Verify that all mounting locations are used*
- 6 *Attach bullbar to bracket using Herd supplied hinge bolts*  
*\* For DFLT & Defender models only: To install the hinge bolts, the bumper must be in the open (down) position to allow the bottom lip to go under and around the steel hinge.*
- 7 *Check to ensure bar is level relative to a significant feature of the truck, and readjust if necessary*
- 8 *Wire driving lights to existing wiring (if applicable)*
- 9 *Insert towpin and tighten eyebolts (75-100 ft-lbs)*
- 10 *Re-check the mounting bracket and bolts after the first 5,000km and every 3-6 months.*

*Eyebolts are secured in the channel with a 7/8" rubber washer. If you need to re-install the washer, insert the eyebolt into the hole, and thread a washer onto the back side of the eyebolt, approximately halfway onto the threaded part of the eyebolt.*

Newly added mounting plate and tab locations



This mounting point goes to here