



INSTALLATION INSTRUCTIONS

WESTERN STAR

Item #	Vehicle Description
WS22	Western Star 4700 SBA WITH CENTER TOW PIN

IMPORTANT

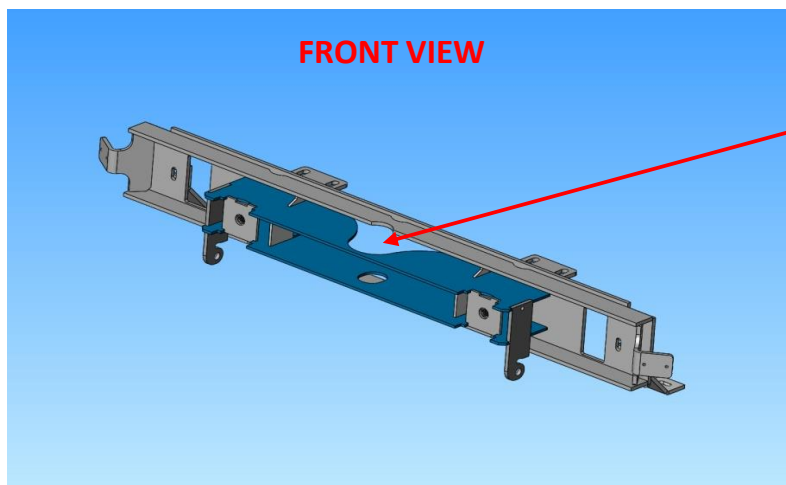
- A** Herd Bullbars are vehicle "Make & Model" specific. Use of a bullbar on a vehicle other than the model it was designed for will constitute improper use of the product and may void warranty.
- B** Unless otherwise specified, Grade 8 hardware is to be used. For the purposes of these instructions, OE hardware means the truck's original factory hardware.
- C** The drop-forged eyebolts are an integral part of the strength of Herd bullbars. When tightened firmly, they will minimize vibration and provide superior impact resistance.
- D** To help maintain the factory finish, avoid acid wash.

Step

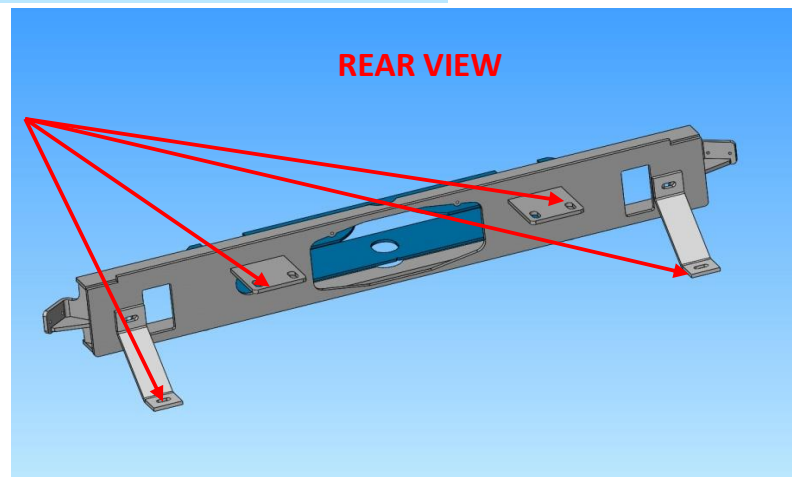
- 1 *Remove factory bumper and factory driving lights (if applicable). DO NOT remove the factory center tow pin receiver.*
- 2 *Install Herd steel brackets to truck using supplied hardware, existing tow receiver will fit within Herd tow box bracket, see attached pictures.*



**FACTORY TOW RECEIVER
FITS WITHIN HERD BRACKET**



MOUNTING POINTS TO THE TRUCK FRAME



- 3** *Verify that all mounting locations are used*
- 4** *Attach bullbar to bracket using Herd supplied hinge bolts*
 * For DFLT & Defender models only: To install the hinge bolts, the bumper must be in the open (down) position to allow the bottom lip to go under and around the steel hinge.
- 5** *Check to ensure bar is level relative to a significant feature of the truck, and readjust if necessary*
- 6** *Wire driving lights to existing wiring (if applicable)*
- 7** *Insert towpin and tighten eyebolts (75-100 ft-lbs)*
- 8** *Re-check the mounting bracket and bolts after the first 5,000km and every 3-6 months.*

Eyebolts are secured in the channel with a 7/8" rubber washer. If you need to re-install the washer, insert the eyebolt into the hole, and thread a washer onto the back side of the eyebolt, approximately halfway onto the threaded part of the eyebolt.