

- This document shows how to install your new Truck Guard onto your truck.
- Ensure that you have completely read and understood document **S017 - Safety** before beginning this installation procedure.

I. Removing the OEM Front Bumper

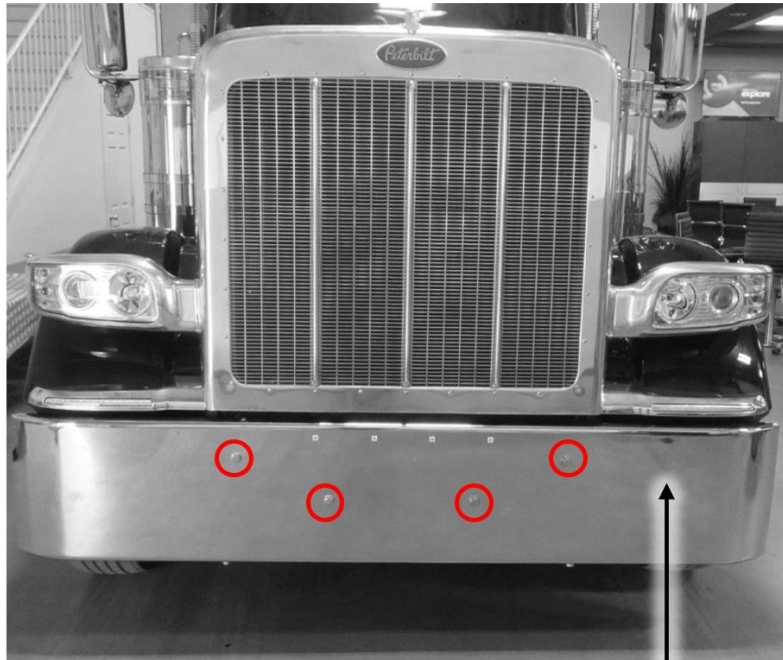


Figure 1a: Front Bumper Fasteners
(Center Tow Section not Shown)

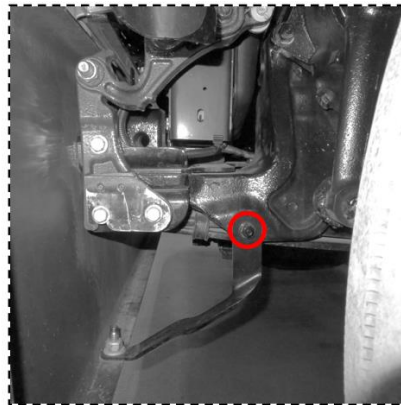


Figure 1b: OEM Bumper Side Fasteners
(Driver Side Shown)

Figure 1: Removing the OEM Front Bumper (Your Truck may not be exactly as shown)

1. If your truck is equipped with a center tow section, remove it. Remove the OEM front bumper by removing the circled bolts shown in Figure 1a and the bumper side fasteners, one per side; see Figure 1b. Retain the removed hardware for later use.

II. Installing the HERD Submounts and the Truck Guard.

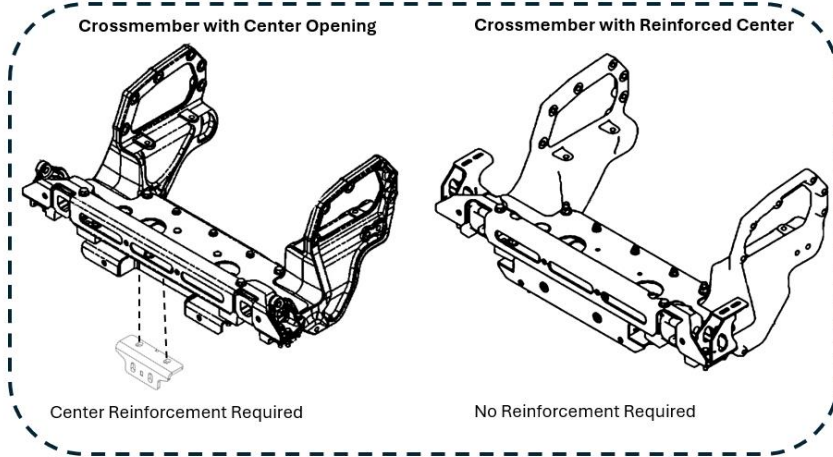


Figure 2a: Crossmember Identification

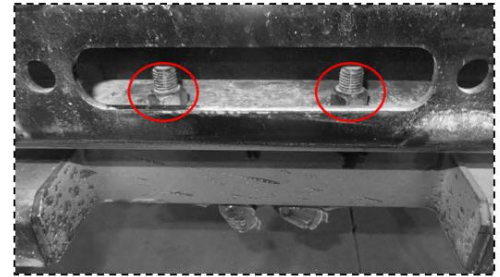


Figure 2b: Center Bolt Removal
(For Truck with Center Opening Only)

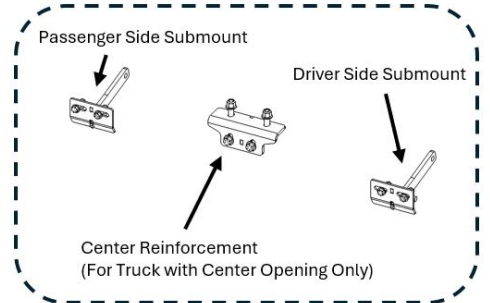


Figure 2c: Submount Diagram

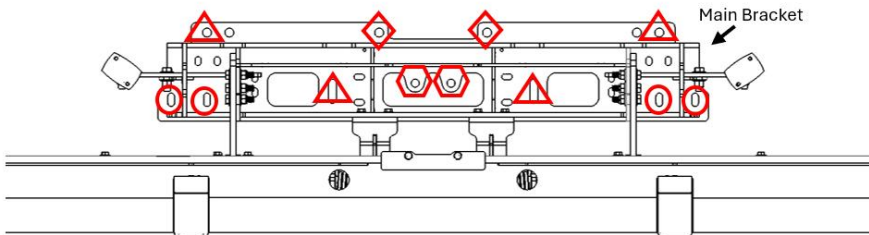
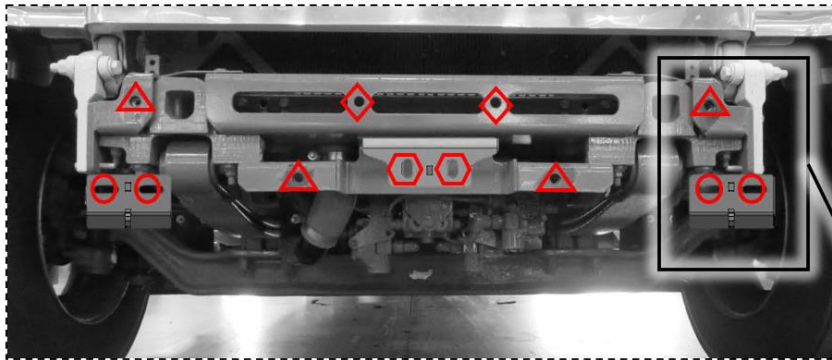


Figure 2e: Main Bracket Mounting
(Your Bracket may not be Exactly as Shown)



Figure 2d: Driver Side Submount Installation
(Side View Shown)

Figure 2: HERD Submounts and Truck Guard Installation

1. If the truck is equipped with Collision Avoidance System (CAS), disconnect the radar sensor and remove it. Retain the radar sensor and hardware for later use.
2. Identify which crossmember you have; see Figure 2a. If you have the crossmember with reinforced center, skip to Step 4. If you have the crossmember with center opening, remove and retain the bolts seen in Figure 2b.
3. Install the Center Reinforcement using the provided 5/8" hardware, as shown in Figure 2a. Ensure the Center Reinforcement is flush with the crossmember front face. For reference, the Center Reinforcement is shown in Figure 2c.

For crossmember with center opening only; Torque the 5/8" Hardware to 190 ft-lb.

4. Install the Driver Side Submount using the OEM bumper side fastener removed in Section I, Step 1; see Figure 2d. Ensure the Driver Side Submount 5/8" Hardware and the OEM bumper side fastener is only loosely tightened. Repeat this step for the Passenger Side Submount. For reference, the Submounts are shown in Figure 2c.
5. Lift the Main Bracket and Truck Guard (opened) assembly and mount it to the truck. Fasten the Main Bracket to the HERD Submounts as shown in Figure 2e. The fasteners to use are outlined below based on your specific crossmember:

Crossmember with Center Opening:

The triangles represent the locations to use the front bumper fasteners, removed in Section I, Step 1.

The circles represent the locations to use the provided 1/2" Hardware.

The diamonds represent the locations to use the Center Bolts removed in Step 3.

The hexagons represent the locations to use the provided 5/8" Hardware.

Crossmember with Reinforced Center:

The triangles represent the locations to use the front bumper fasteners, removed in Section I, Step 1.

The circles represent the locations to use the provided 1/2" Hardware.

The diamonds represent the locations to use the OEM hardware from the center tow section.

The hexagon locations are not applicable to the crossmember with Reinforced Center.

6. Ensure all mounting hardware is tightened, including those used for the Side Submounts installed in Step 4.

Torque the 1/2" Hardware to 96 ft-lb, and the 5/8" Hardware to 190 ft-lb.

7. Install the radar sensor (if applicable) to the Herd Sensor Bracket using the Radar Sensor Bracket Installation Procedure (S009).
8. Close the Bumper and check the Slam Latch adjustment. If necessary, adjust the Slam Latch. Refer to the Truck Guard Slam Latch Adjustment Procedure (S024) to properly adjust the Slam Latch.

Important: Check mounting points' hardware after the first 5000 km and every 3-6 months. Re-torque if necessary.